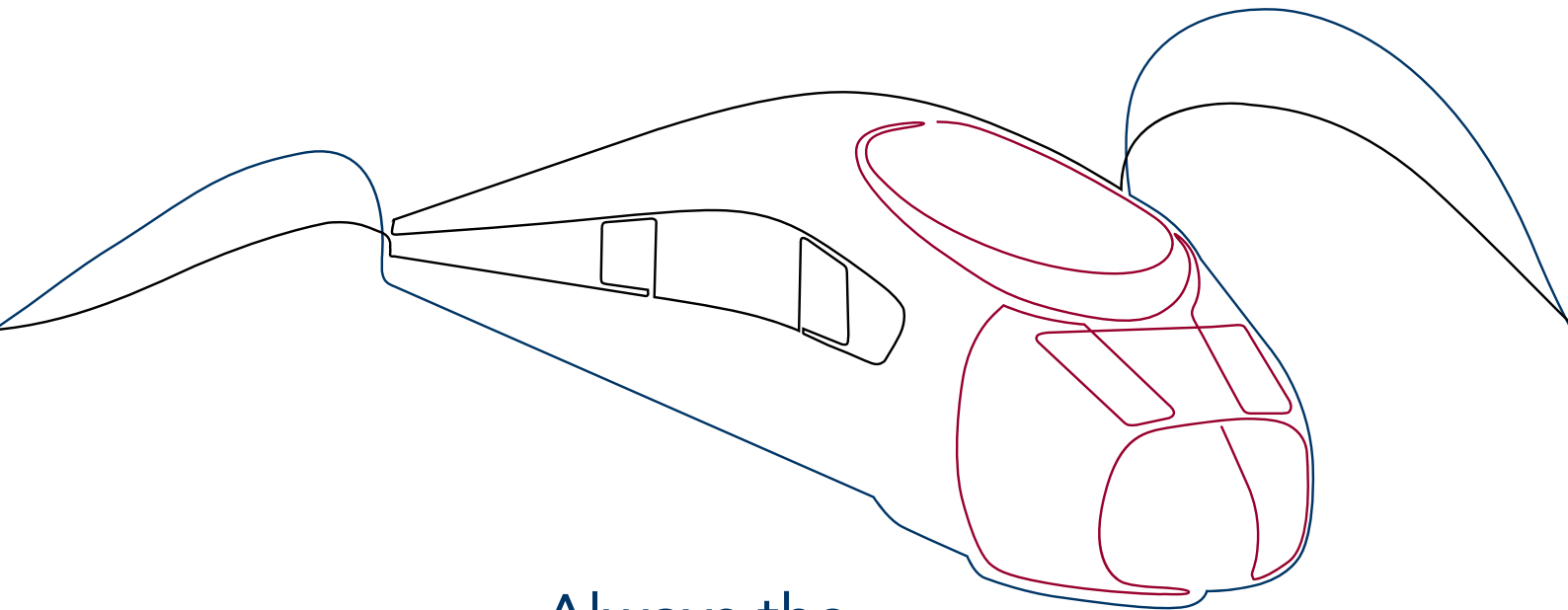


CONTROL CABINETS & CABLE ASSEMBLY



Always the
right connection



Quality Standard: All products are subject to an extensive quality test in the final inspection phase. Of course, we are certified according to current industry-specific standards.

CONTROL CABINETS & CABLE ASSEMBLY CUSTOMIZED SOLUTIONS



PRODUCT INFO

We offer you all services from a single source, from contacting to the assembly of cable harnesses and control cabinets as well as mechanical solutions.

Co-engineering for system – solutions, new and further development of project studies, prototype construction or series production – we are at your side as a system supplier.

APPLICATION AREA

Our manufacturing competence includes the following industries:

- Railway
- Automotive
- Commercial vehicles
- Measuring technology
- Construction machinery
- Mechanical and plant engineering
- Agricultural technology
- Medical technology

SERVICE RANGE

We are specialists from prototype to medium volume segment. These are the products we integrate into your system:

- Cable kits
- Cable harnesses (various versions)
- Assemblies (various versions)
- Control cabinets
- Grounding cables
- Driver's desks
- Energy chains

CONTROL CABINETS & CABLE ASSEMBLY INFORMATION

Cable assembly

Product info

Tailor-made solutions for complex tasks, the highest quality standards and satisfied customers – that is our number 1 priority.

- Standard and special assemblies
- High availability for fast action
- Wide range of materials, sheathing and connector types available
- Sample and prototype construction



Control cabinets

Product info

The assembly of control cabinets is carried out individually according to customer requirements. We are happy to support you starting in the design phase of your product. Our services include the following: Planning, identification, procurement, assembly and wiring of the parts and components

- Creation of bill of materials, wiring diagrams and documentation
- Production of cable harnesses and connection lines
- Electrical test of the wiring
- Functional test of the assemblies and control cabinets
- Selection and assembly of the mechanical components



MANUFACTURING CAPABILITIES

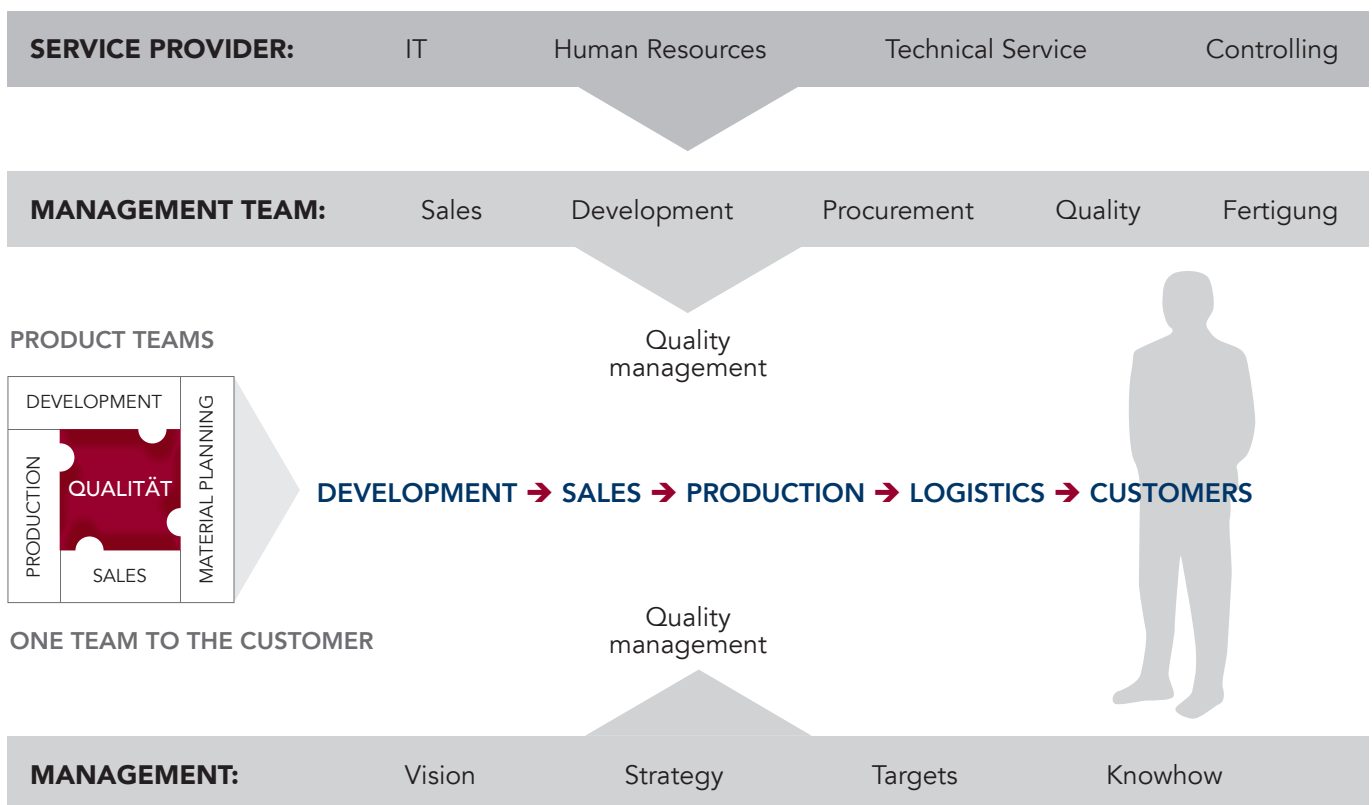


SPECIFICATION	DESCRIPTION	VALUES & DATA
Sheathing	Corrugated tube Braiding Bandaging Insulating / Protective hose Customized requirements	All standard diameters Up to diameter 30 mm All diameters All Standard diameters
Production methods	Crimping Insulation displacement technology Overmolding by hotmelt Casting with epoxy resin Resistance welding Ultrasonic welding	0.14 mm ² to 240 mm ² All standard materials Connectors and components Pouring and sealing of housings 0.5 mm ² to 6 mm ² Up to 14 mm ² , copper wires
Sheet metal working capabilities	Welding Punching & bending Milling & turning Coating Soldering & annealing	Certification level CL1 according to DIN EN 15085-2 All common materials All common materials Powder coating, electroplating Soft & hard soldering

SYSTEM SOLUTIONS FROM A SINGLE SOURCE

Customer-oriented process organization

A team is at your disposal to develop individual solutions according to your requirements.



Customer promise



Internationality

With 7 locations on 4 continents - more security for you!



Relocation expertise

We manufacture where it is most economical for you.



Development expertise

We develop customized solutions for you.



High level of vertical integration

For guaranteed flexibility and fast prototype production.



Many years of experience

We combine about 90 years of experience with the latest technologies!



Service

Whether engineering, design-to-cost workshops or after-sales service – we support you!



MORE BENEFITS FOR YOU:

- Punctuality
- Consistently high quality all over the world
- Comprehensive service wherever you are in the world
- Years of expertise for your product
- International presence
- On-site engineering service – from prototyping to after-sales
- Original manufacturer
- A team just for you



A company of



www.aichele-group.com
www.era-contact.com
www.streicherplast.de

era-contact GmbH Germany
 Gewerbestrasse 44
 75015 Bretten-Gölshausen
 Deutschland / Germany
 Phone +49 (0)72 52 - 971 0
info.germany@era-contact.de

era-contact Tunisia S.A.R.L.
 Hriza
 7026 El Azib, Bizerte
 Tunesien / Tunisia
 Phone +216 72 - 45 10 10
info.tunisia@era-contact.de

era-contact USA, LLC
 1475 Smith Grove Road
 Liberty, SC 29657
 USA
 Phone +1 (864) 777-6060
info.usa@era-contact.com

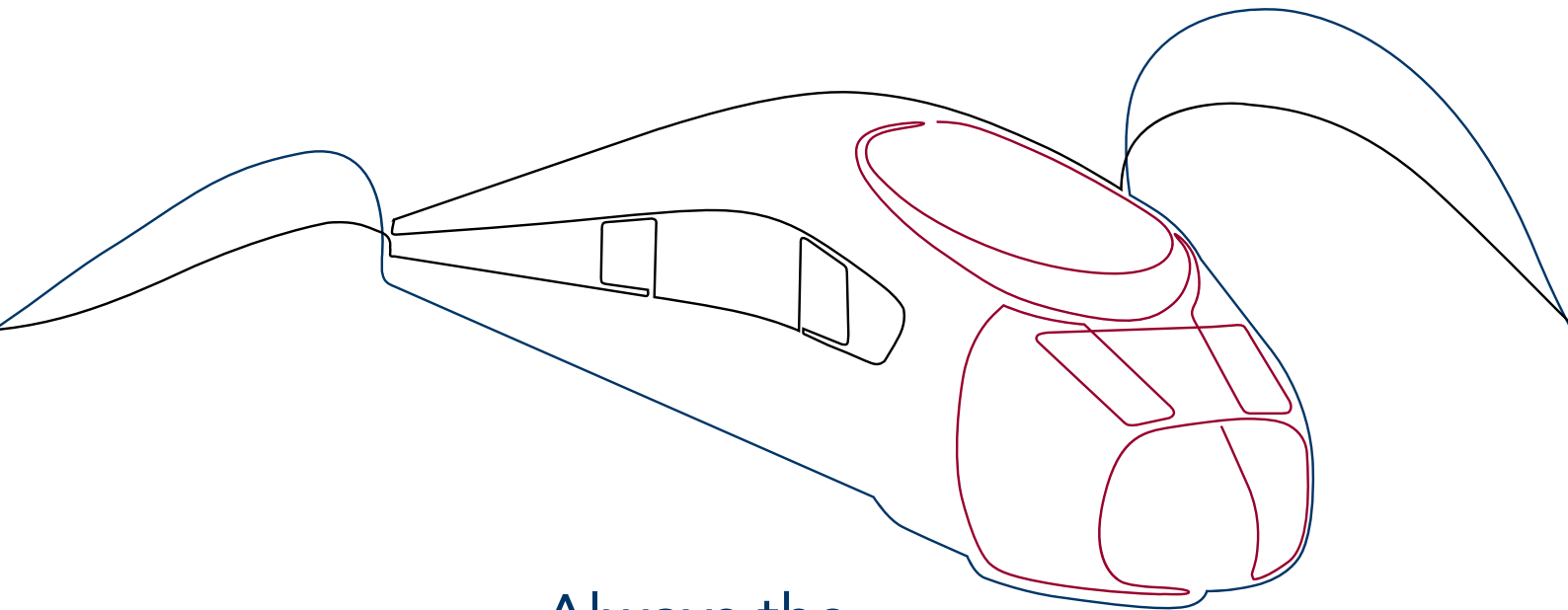
era-contact GmbH Germany
 Einsteinstraße 1
 71083 Herrenberg
 Deutschland / Germany
 Phone +49 (0)72 52 - 971 0
info.germany@era-contact.de

era-contact (Suzhou) Co., Ltd.
 Building P,
 No. 9 Chang Yang Street,
 Suzhou Industrial Park
 Jiangsu, 215024, P.R. China
 Phone +86 512 - 6299 1800
info.china@era-ct.com

era-contact Turkey
 San. ve Tic. Ltd. Şti.
 Çerkeşli OSB Mah.
 İmes 9. Cad. No:31
 41455 Dilovası/Kocaeli
 Türkei / Turkey
 Phone +90 532 504 38 09
info.turkey@era-contact.com.tr

streicherplast
 GmbH + Co. KG
 Friedhofstrasse 4
 78588 Denkingen
 Deutschland / Germany
 Phone +49 (0)74 24 98 17-0
info@streicherplast.de

UIC 558



Always the
right connection



Quality Standard: All products are subject to an extensive quality test in the final inspection phase. Of course, we are certified according to current industry-specific standards.

UIC 558 CONNECTORS



PRODUCT INFO

The rail connector is used in international traffic for all types of rail vehicles, including traction units.

The robust connector systems comply with IRS 50558 / UIC 558 VE (up to 1994: UIC 568 VE) and meet the fire protection guideline EN 45545-2 HL3.

The receptacle and the plug can be assembled with a UIC-compliant cable on request.

APPLICATION AREAS

- For remote control of lighting, door control, transmission of acoustic information and binary data
- New vehicles
- Refurbishments of rail vehicles
- For use with spare parts requirements

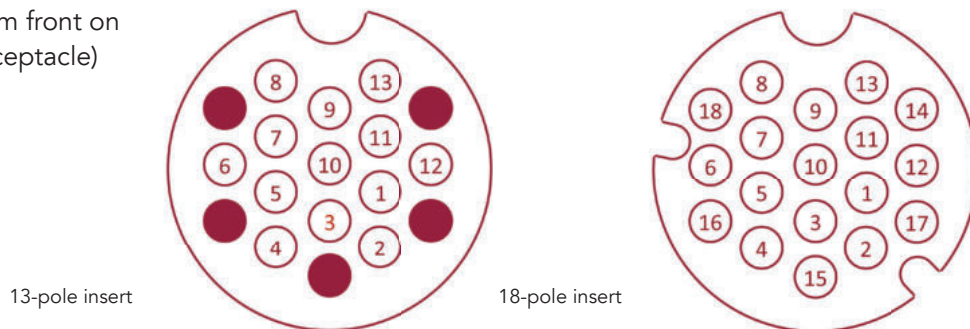
FEATURES

- Standard variants: 13-pin and 18-pin plug-in connections. The 18-pin receptacle is plug compatible with the 13-pin plug
- Coding is available
- Current transmission of max. 10 A
- Protection against dust and moisture according to protection class IP66
- Protection in the event of unintentional uncoupling
- Short maintenance times with exchangeable insert (optional)
- Avoidance of operating errors due to optional magnetic lock (receptacle cover closes regardless of the opening angle)

UIC 558 TECHNICAL DATA

Pole diagram and connection scheme

Direction of view from front on receptacle insert (receptacle)



SPECIFICATIONS

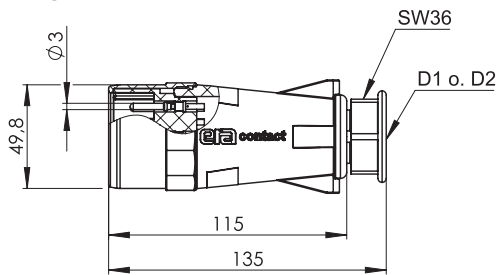
DESCRIPTION

VALUES & DATA

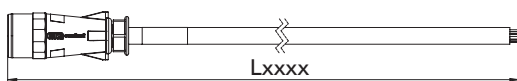
Standards	Type	UIC 558 VE (VE = Mandatory/Recommended) IRS 50558
Fire protection	Protection class (EN 60529) EN 45545-2 HL3	IP66: receptacle closed/plugged in
Connection type	Number of poles Connection cross section Connection to female contact Connection to male contact	13-pole / 18-pole 0.75 ... 1.00 mm ² Crimp Crimp
Electrical characteristics	Rated voltage Rated current Contact resistance Insulation resistance	60 V 10 A < 2 mΩ > 10 GΩ
Mechanical characteristics	Contact diameter Mechanical life	3 mm > 10,000 plugging cycles
Operating conditions	Operating temperature range	-40°C ... +90°C
Materials	Housing plug Housing receptacle Contact block Seal in housing Contacts	Thermoplastic, glass fiber reinforced Cast aluminum Thermoplastic, glass fiber reinforced Silicone elastomer, EPDM Wrought copper alloy, nickel plated
Weights	Plug (without cable) Receptacle Receptacle with exchangeable insert and magnetic lock Dummy receptacle	approx. 0.2 kg approx. 0.7 kg approx. 0.8 kg approx. 0.6 kg

UIC 558 PLUG (S), CONNECTOR CABLE (AS) & JUMPER CABLE (VS)

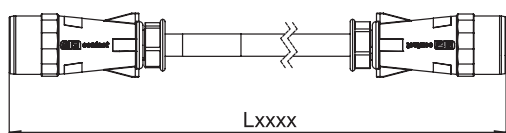
Plug: UIC558-S



Connector cable: UIC558-AS-Lxxxx



Jumper cable: UIC558-VS-Lxxxx



Product info

Our plugs are equipped with high quality components for signal and power transmission. This product is designed for remote control and information cables, thus it meets high functionality and safety requirements on a permanent basis.



UIC 558 plug: Red color markings for 18-pole version

Order options and key

Example:

UIC 558 connector cable, plug one-sided, 18-pole with a total length of 1.5 m for cable diameter 16.5 to 18.5mm.

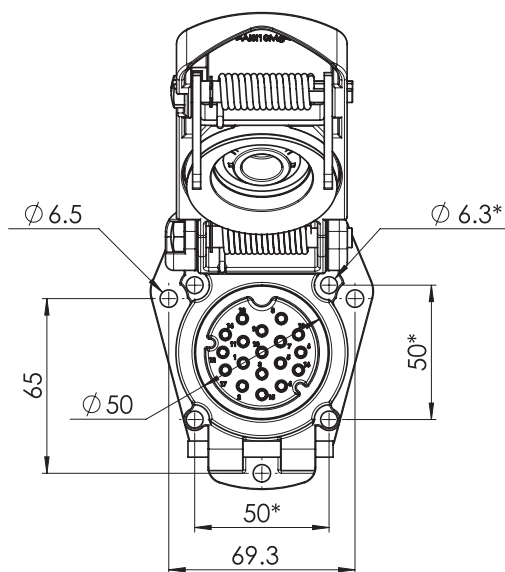
UIC558-AS-L1500-P18-D2

Type	UIC558	According to UIC 558 VE	_____
Version	S	Plug (without cable)	_____
	AS	Connector cable with 1 plug	_____
	VS	Jumper cable with 2 plugs	_____
Total length	Lxxxx	Length in mm, (Standard and desired lengths on request)	_____
Number of poles	P18	18 male contacts	_____
	P13	13 male contacts	_____
Cable gland	D2	For cable diameter 16.5 to 18.5 mm (for 18-pole variant)	_____
	D1	For cable diameter 12.5 to 15.5 mm (for 13-pole variant)	_____

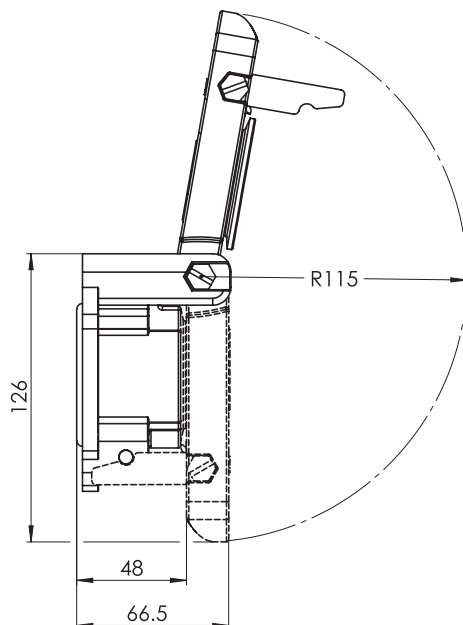
UIC 558 RECEPTACLE (KDO), DUMMY RECEPTACLE (BDO)

Receptacle: UIC558-KDO

(Identical in construction to KDK, BDO, LDO)



*Mounting option with alternative hole pattern



Product info

With its robust construction, our receptacle housing has increased resistance to chemical influences. This ensures long-term use under harsh conditions.

Receptacle (KDO) is equipped with 18 female contacts.

The dummy receptacle (BDO) is used to accommodate non-coupled plugs. The dummy receptacle contains only a contact block without female contacts.

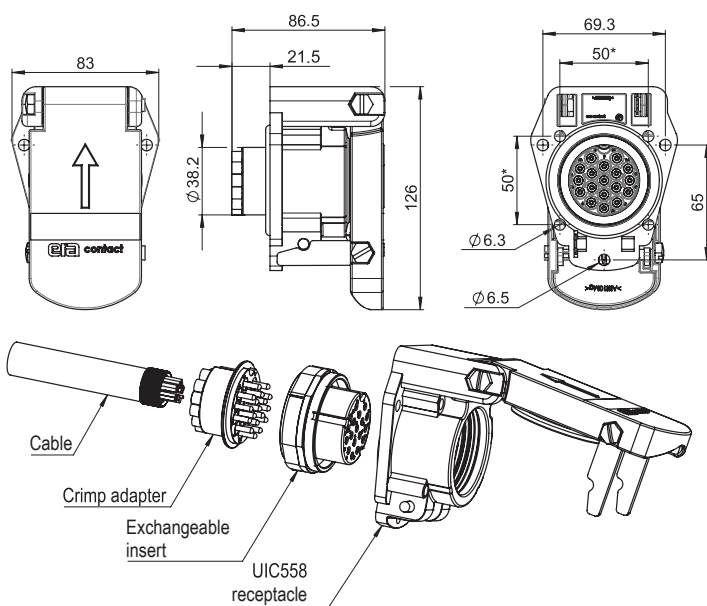


UIC 558 receptacle: Red color marking on the cover for 18-pole version.

UIC 558 OPTIONS RECEPTACLE

Option exchangeable insert (WE)

Receptacle: UIC558-KDO-WE1



* Dimensions in mm

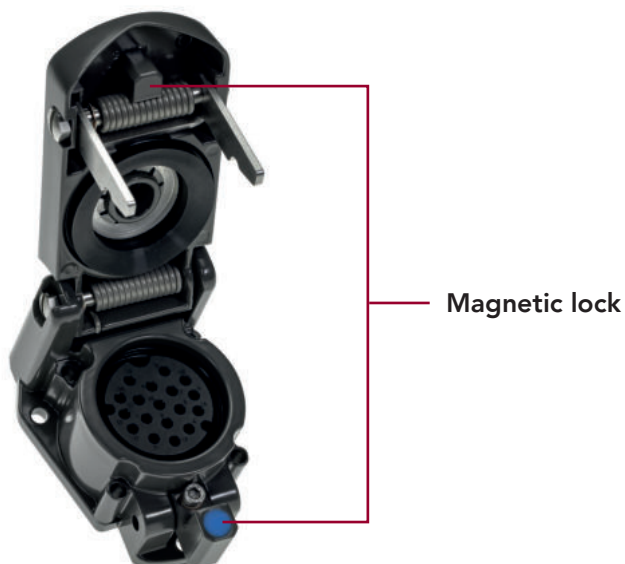
Product info

Our receptacle with exchangeable insert (WE) considerably reduces the effort required for maintenance work. All that is required is to replace the exchangeable insert on site. There is no need for rewiring, crimping or electrical tests.



UIC 558 receptacle with exchangeable insert

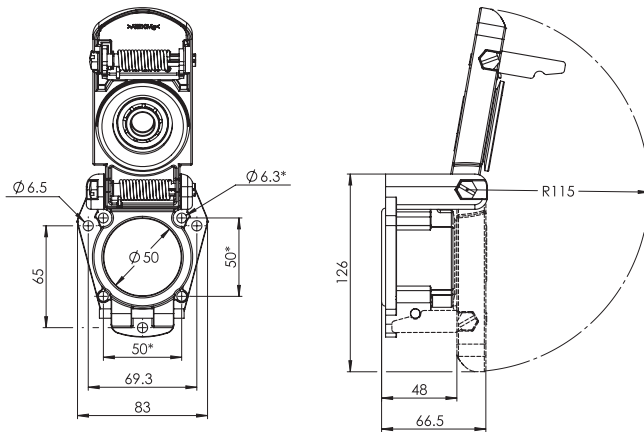
Option magnetic lock (MV)



Our UIC 558 receptacles (KDO and BDO) are available with (MV1) and without magnetic lock (MV0). No matter from which angle or with which force the cover is actuated, the magnetic lock ensures absolute closure and thus the tightness of the receptacle in the unplugged state.

UIC 558 BASIC RECEPTACLE (LDO) WITH ASSEMBLED CABLE HARNESSSES (CA / KT)

Basic receptacle: UIC558-LDO
(Identical in construction to KDO)



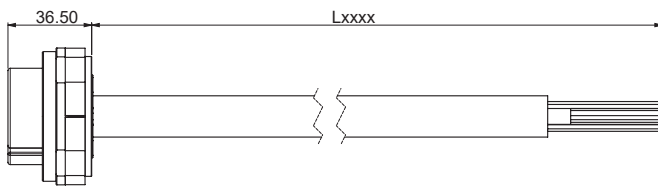
*Mounting option with alternative hole pattern

Product info

For the standard version of the receptacle with pre-assembled cabling, please select the basic receptacle (LDO) and additionally the cable with contact block (KT).

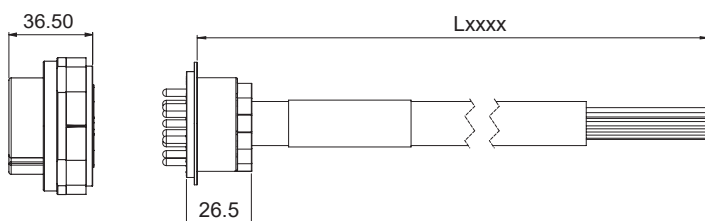
For the receptacle version with exchangeable insert, select the basic receptacle (LDO), the exchangeable insert (WE) and the pre-assembled crimp adapter (CA).

Contact block pre-assembled: UIC558-KT-Lxxxx-P18



Cable length in mm

Crimp adapter pre-assembled: UIC558-CA-Lxxxx-P18



Cable length in mm

You additionally need the exchangeable insert (WE).

Exchangeable insert (WE)

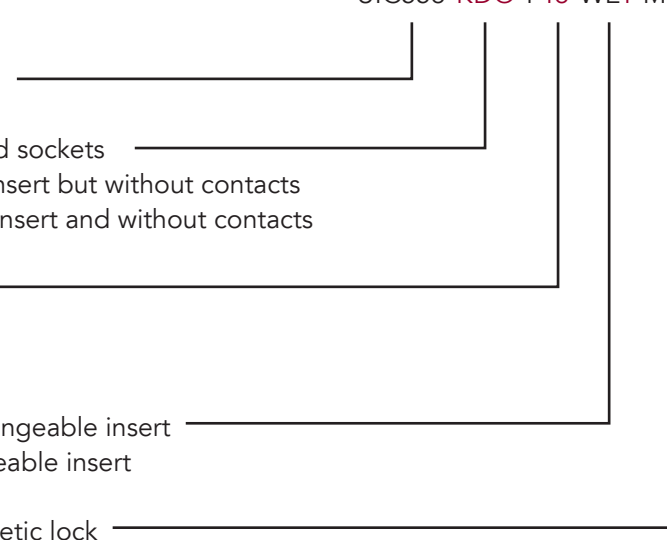
Crimp adapter with cable (CA)

UIC 558 RECEPTACLE (KDO), DUMMY RECEPTACLE (BDO) & BASIC RECEPTACLE (LDO)

Order options and key

Example:

UIC 558 receptacle with 18 contact pins, exchangeable insert and magnetic lock in RAL 7038 (Agate Gray)

			UIC558-KDO-P18-WE1-MV1
Type	UIC558	According to UIC 558 VE	
Version	KDO BDO LDO	Receptacle with insert and sockets Dummy receptacle with insert but without contacts Basic receptacle without insert and without contacts	
Contacts	P13 P18	13 Pins and cable gland 18 Pins and cable gland	
Exchangeable insert	WE0 WE1	Receptacle without exchangeable insert Receptacle with exchangeable insert	
Magnetic lock	MV0 MV1	Receptacle without magnetic lock Receptacle with magnetic lock	
Color options	RAL7038	Agate Gray (Other colors on request)	

Spare parts and accessories

DESIGNATION	DESCRIPTION	ARTICLE NO.
Contact pin incl. spring	Core cross sections: 0.75 mm ² to 1 mm ²	122033
Contact socket incl. spring	Core cross sections: 0.75 mm ² to 1 mm ²	122024
Exchangeable insert incl. contacts	For receptacle with exchangeable insert	072587
Double socket incl. spring	For receptacle with exchangeable insert	122152
Contact ejector	Disassembly tool	134462
DMC FT8	Crimping tool	072674



MORE BENEFITS FOR YOU:

- Punctuality
- Consistently high quality all over the world
- Comprehensive service wherever you are in the world
- Years of expertise for your product
- International presence
- On-site engineering service – from prototyping to after-sales
- Original manufacturer
- A team just for you

A company of



www.aichele-group.com
www.era-contact.com
www.streicherplast.de

era-contact GmbH Germany
Gewerbestrasse 44
75015 Bretten-Gölshausen
Deutschland / Germany
Phone +49 (0)72 52 - 971 0
info.germany@era-contact.de

era-contact Tunisia S.A.R.L.
Hriza
7026 El Azib, Bizerte
Tunesien / Tunisia
Phone +216 72 - 45 10 10
info.tunisia@era-contact.de

era-contact USA, LLC
1475 Smith Grove Road
Liberty, SC 29657
USA
Phone +1 (864) 777-6060
info.usa@era-contact.com

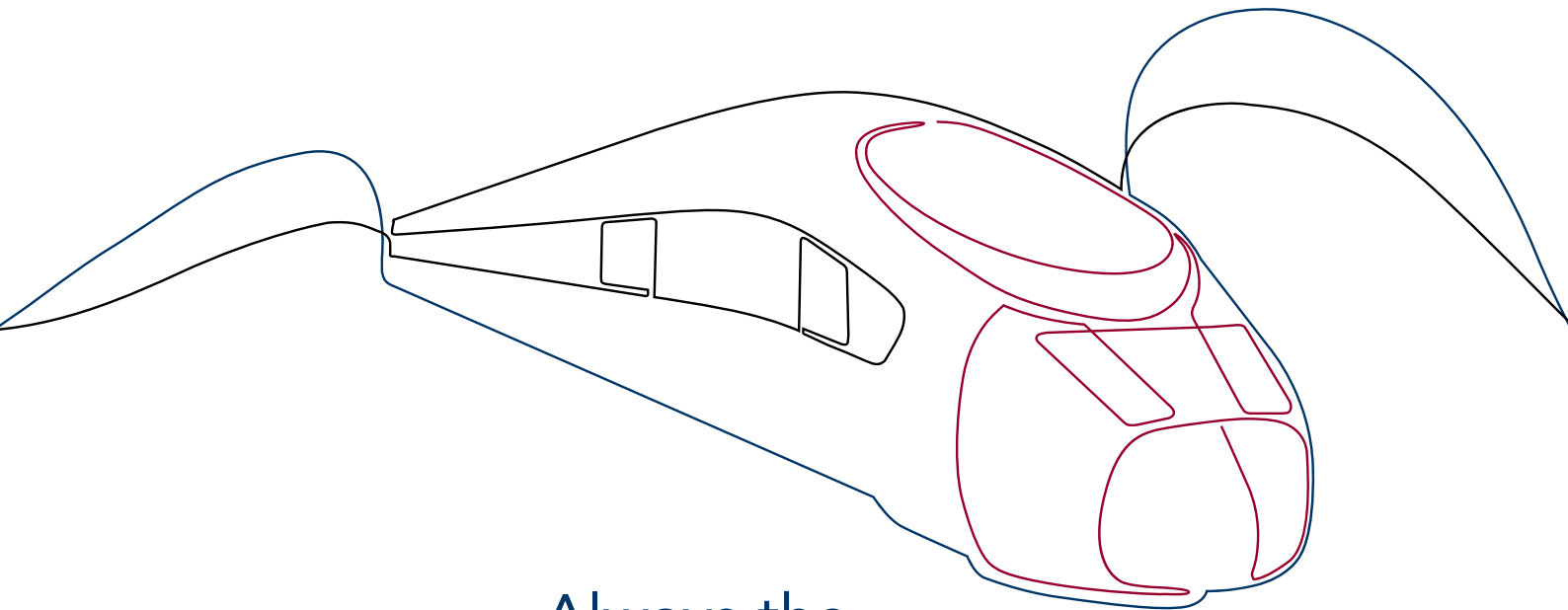
era-contact GmbH Germany
Einsteinstraße 1
71083 Herrenberg
Deutschland / Germany
Phone +49 (0)72 52 - 971 0
info.germany@era-contact.de

era-contact (Suzhou) Co., Ltd.
Building P,
No. 9 Chang Yang Street,
Suzhou Industrial Park
Jiangsu, 215024, P.R. China
Phone +86 512 - 6299 1800
info.china@era-ct.com

era-contact Turkey
San. ve Tic. Ltd. Şti.
Çerkeşli OSB Mah.
İmes 9. Cad. No:31
41455 Dilovası/Kocaeli
Türkei / Turkey
Phone +90 532 504 38 09
info.turkey@era-contact.com.tr

streicherplast
GmbH + Co. KG
Friedhofstrasse 4
78588 Denkingen
Deutschland / Germany
Phone +49 (0)74 24 98 17-0
info@streicherplast.de

UIC 552 M1 SERIES



Always the
right connection

UIC 552 M1 SERIES CONNECTORS



PRODUCT INFO

UIC 552 connectors are required for all rail vehicles used in international traffic with a power train line.

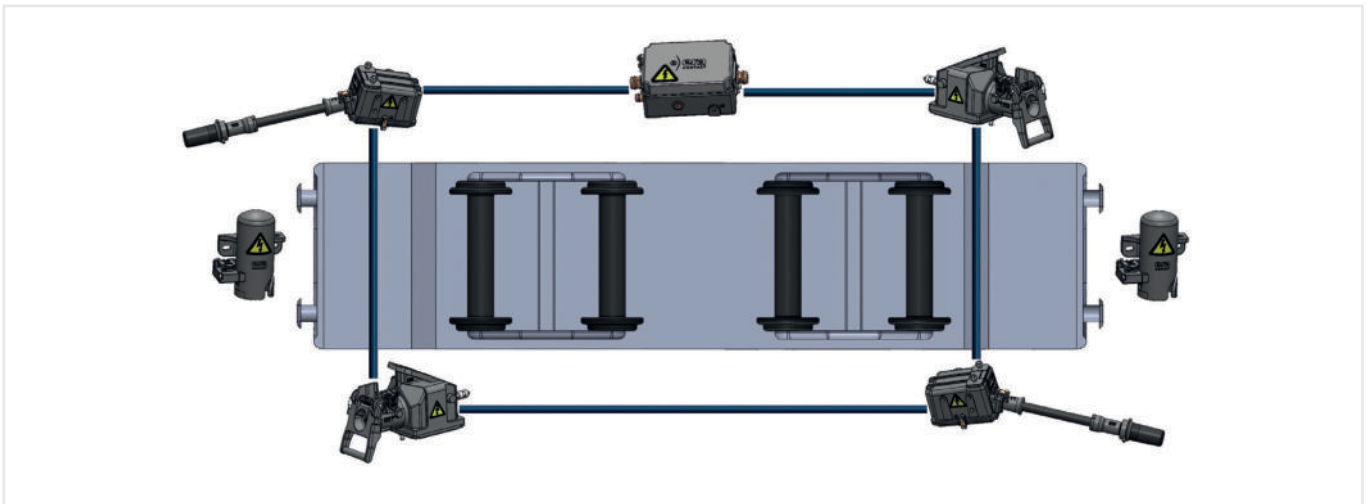
The power train line ensures the power supply between all rail vehicles, including traction units. The UIC 552 standard defines a uniform standard, which ensures that wagons from different manufacturers are internationally compatible with each other.

For technical implementation, appropriate connectors are required between the traction unit and all other rail vehicles. Our robust era-contact UIC 552 connector system meets all specifications of the UIC 552 standard.

APPLICATION AREA

- For electrical connection according to UIC 552 for local and long-distance trains
- As new equipment for the power train line
- During the overhaul of rail vehicles
- For use with spare parts
- Compatible with all UIC 552 systems on the market

UIC 552 M1 SERIES FEATURES



- All products of the series are UIC 552 compliant
- Robust, durable construction according to the current state of the art
- Grounding according to currently valid EN standards
- Increased corrosion resistance against chemical influences
- Current transmission of 800 A at -10°C with a nominal voltage of 3 kV AC/DC and rated voltage of 3.9 kV
- Threaded holes for the cable outlets up to M50 selectable as standard
- Protection against dust and moisture according to the protection class: min. IP55
- Protection against unintentional disconnection
- Weather and temperature resistance: min. -50°C to max. +85°C for all connector materials

UIC 552 M1 series plug (S)

- Also available as connector cable (AS) or jumper cable (VS)
- Crimp connection 185 mm²
- Protection against unintentional contact is guaranteed
- Grounding implemented via 25 mm² shielding braid

UIC 552 M1 series receptacle (KDO)

- More safety and less wear thanks to optional pilot contact for plug monitoring
- Locking device to prevent unauthorized access, available on right or left side
- Symmetrical, one-piece design for easy maintenance and ideal integrability of the receptacle
- Individually selectable cable outlets
- M10 grounding interface

UIC 552 M1 series dummy receptacle (BDO)

- Variant available with and without locking device
- Available with and without IP 55 protection class

UIC 552 M1 series cable junction box (KAK)

- M8 grounding interface on the rear right (other sizes on request)

UIC 552 M1 series junction box (AZK)

- Variant available with and without flange
- Variant with flange enables mounting of preassembled cable in AZK
- Simplification of assembly and connection processes
- M12 grounding interface

UIC 552 M1 SERIES TECHNICAL DATA

SPECIFICATION	DESCRIPTION	VALUES & DATA
Standards	Type Protection class (EN 60529)	UIC 552 VE Receptacle (KDO): IP56 – coupled or receptacle closed, on request higher IP protection possible dummy receptacle (BDO): standard IP 20 (plugged), IP 55 possible on request Junction box (AZK) and Cable junction box (KAK): IP55
Connection type	Number of poles Connection cross section Connection to female contact Connection to male contact	1 185 mm ² M16 screw connection Crimp
Electrical characteristics	Nominal voltage Rated voltage Rated current	3 kV AC / DC 3.9 kV 800 A at -10 °C
Mechanical characteristics	Insertion force Pull-out force	> 200 N > 100 N
Operating conditions	Operating temperature range	-50°C ... +85°C
Materials	Plug housing Receptacle housing Plug head Contact insert Seals Contacts	Cast aluminum Cast aluminum Thermoset Thermoset Chloroprene rubber, EPDM, Silicone elastomer Copper alloy
Weights	Plug (without cable) Receptacle without lock and pilot contact Lock for receptacle/ dummy receptacle Pilot contact Cable junction box Junction box Dummy receptacle	approx. 1.8 kg approx. 16.0 kg approx. 0.4 kg approx. 0.4 kg approx. 7.5 kg approx. 12.5 kg approx. 2.1 kg

Special requirements possible upon request

UIC 552 M1 SERIES PLUG (S), CONNECTOR CABLE (AS) & JUMPER CABLE (VS)



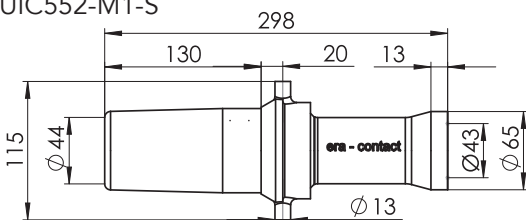
Product info

Our plugs are equipped with high quality components for power transmission up to 800 A. This product for the train line thus permanently meets high functionality and safety requirements.

UIC 552 M1 plug: Deep black, RAL 9005

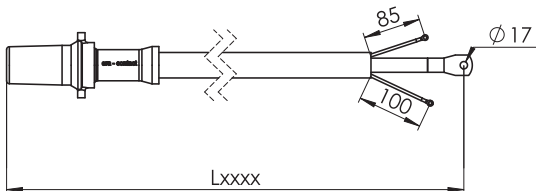
Plug without cable:

UIC552-M1-S



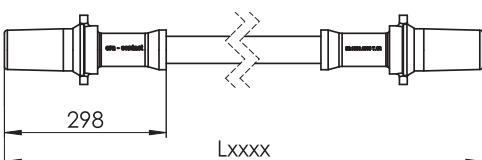
Connector cable with plug:

UIC552-M1-AS-Lxxxx



Jumper cable with two plugs:

UIC552-M1-VS-Lxxxx



CABLE LENGTH L

TOLERANCE

< 2,000 mm

+ 20 mm

≥ 2,000 mm, < 5,000 mm

+ 30 mm

≥ 5,000 mm, < 10.000 mm

+ 40 mm

≥ 10,000 mm

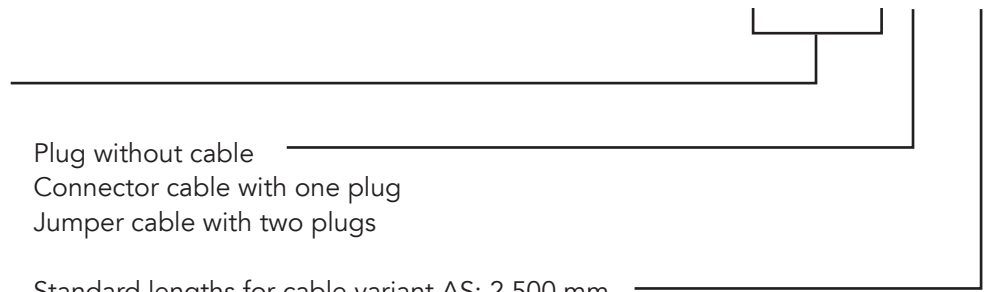
+ 50 mm

UIC 552 M1 SERIES PLUG (S), CONNECTOR CABLE (AS) & JUMPER CABLE (VS)

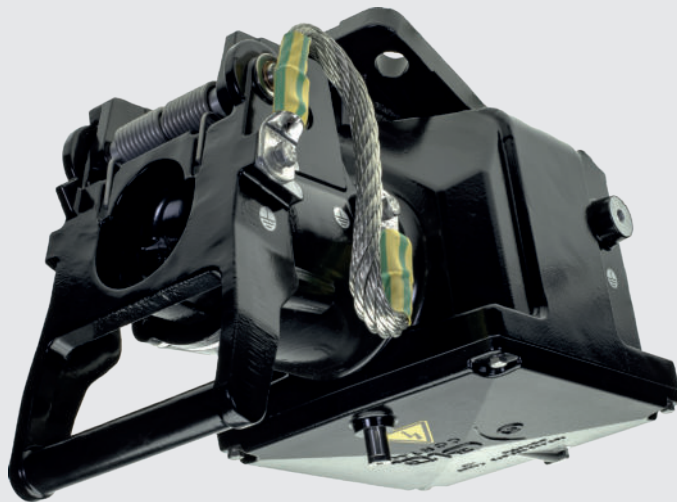
Order options and key

Example:

UIC 552 M1 connector cable with plug, 2,500 mm cable length

			UIC552-M1-AS-L2500
Type	UIC552-M1		
Product	S Plug without cable AS Connector cable with one plug VS Jumper cable with two plugs		
Total length	Lxxxx	Standard lengths for cable variant AS: 2,500 mm Standard lengths for cable variant VS: 1,500 mm (desired lengths on request)	
Color option	RAL9005 Deep Black RAL7023 Concrete Gray (Other colors on customer request)		

UIC 552 M1 SERIES RECEPTACLE (KDO)

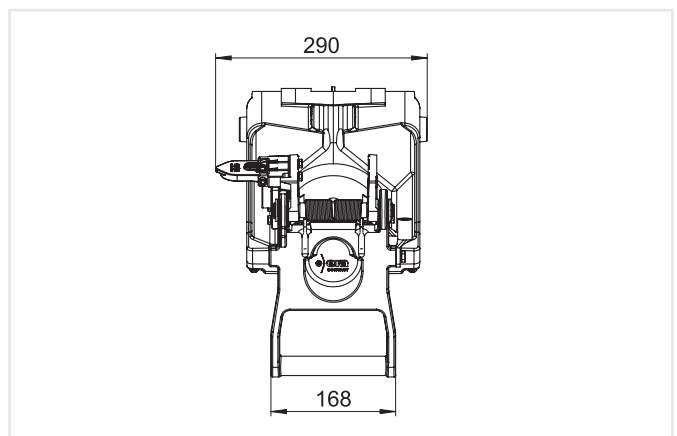
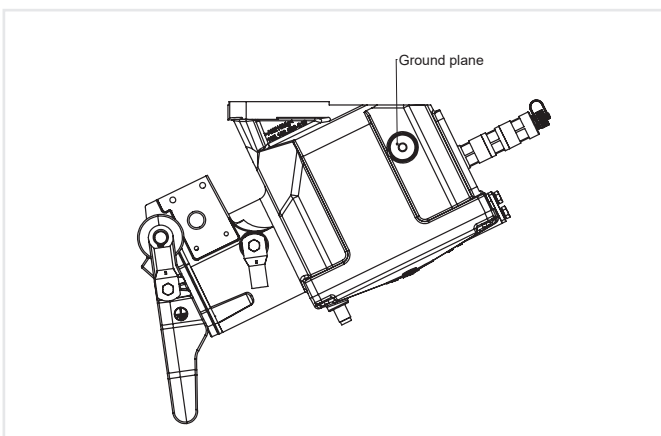
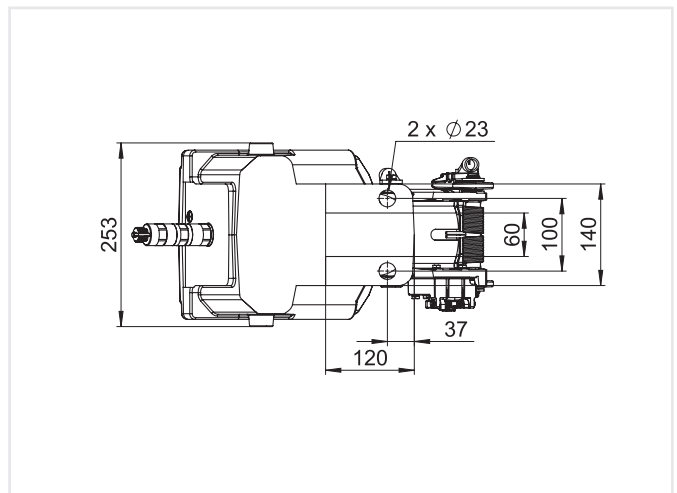
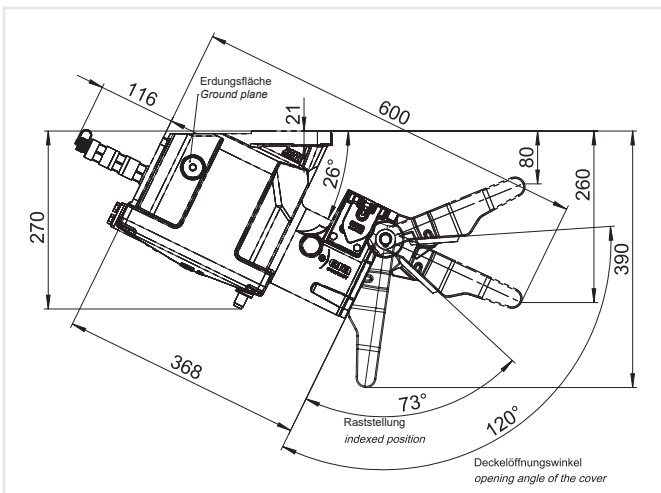


Receptacle UIC 552 M1: Deep Black, RAL 9005

Product info

Our receptacle with its solid metal handle ensures a secure locking of the plug for a permanent use under rough conditions. The optional lock protects against unauthorized opening and is available mounted on the right or left side.

We also offer the receptacle optionally with a pilot contact.



UIC 552 M1S SERIE RECEPTACLE (KDO)

Option locking device (V)



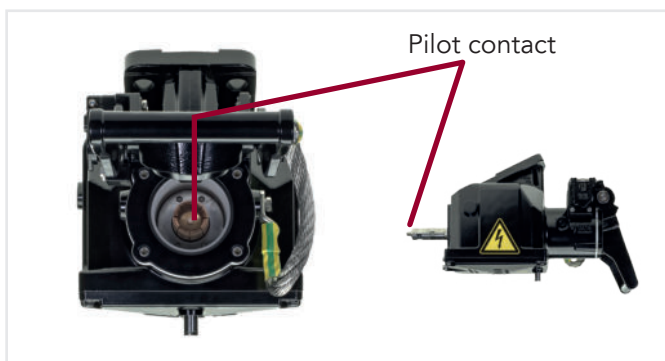
era-contact's UIC 552 M1 receptacle is symmetrical, i.e. the locking device can be mounted both on the left (VL) or the right (VR) side of the UIC552 M1 solution:

- UIC 552 receptacle is universally applicable
- Easy access to the locking device is ensured

Accessories for locking device

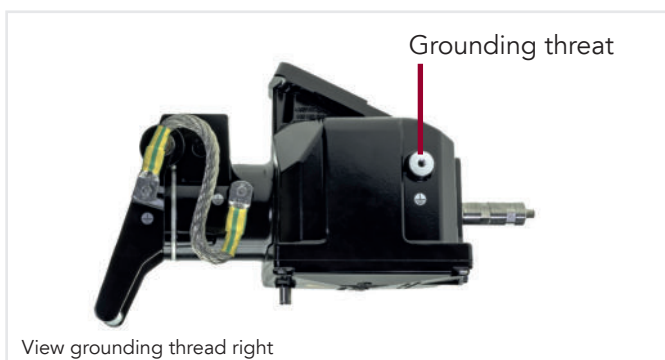
DESIGNATION	DESCRIPTION	ARTICLE NO.
Steel key	Key for UIC 552 locking device	124253

Option pilot contact (P)



The UIC 552 M1 receptacle is available with (P1) and without (P0) pilot contact. The pilot contact is used to provide feedback regarding the presence of a plug.

Grounding thread (E)



View grounding thread right

Grounding thread is located both on the right, as well as on the left side.

Size options:

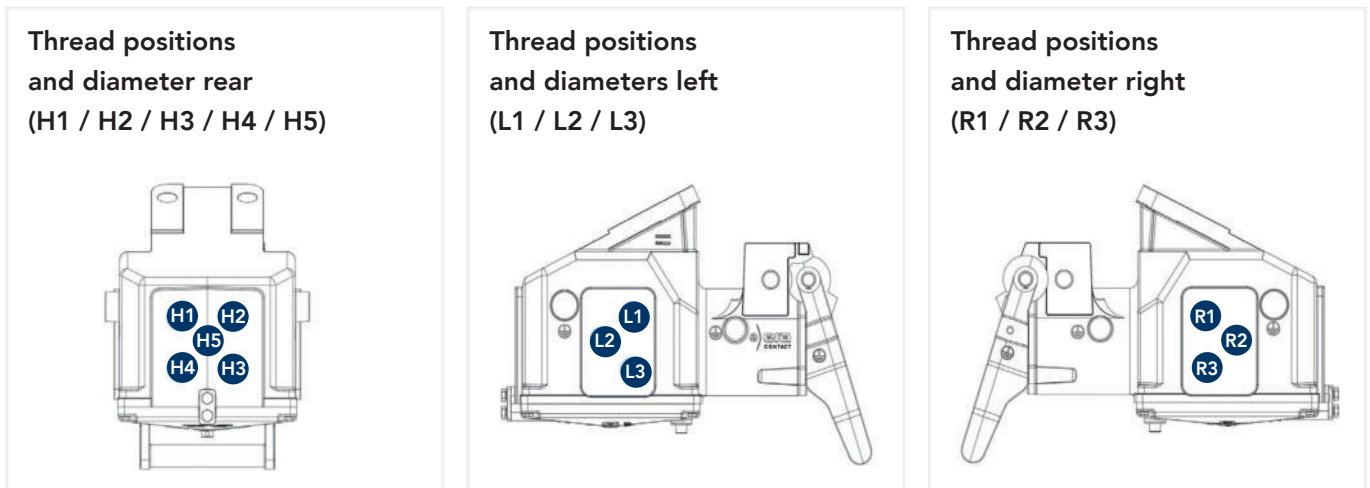
- M10 (standard)
- M8 (possible on request)
- M12 (possible on request)

UIC 552 M1 SERIES RECEPTACLE (KDO)

Options threaded holes

Threaded holes for the receptacle (KDO) can be set at the rear, right, and left side of the receptacle. era-contact offers the following standard diameter sizes and combination options for the threaded holes.

For more sizes, please contact us to discuss the details.



Combination options for threaded holes

	H1	H2	H3	H4	L1	L3	R1	R3	P	L2	R2	H5	
2 Cable outlets	H1	not combinable	combinable without L2/R2	combinable	not combinable	combinable	not combinable	not combinable	combinable	combinable	not combinable	combinable	
	H2	combinable without L2/R2	not combinable	combinable	not combinable	not combinable	not combinable	combinable	combinable	not combinable	combinable	combinable	
	H3	not combinable	combinable	not combinable	combinable without L2/R2	not combinable	not combinable	combinable	combinable	combinable	not combinable	combinable	
	H4	combinable	not combinable	combinable without L2/R2	not combinable	combinable	not combinable	not combinable	combinable	combinable	combinable	not combinable	combinable
	L1	not combinable	not combinable	not combinable	combinable	not combinable	combinable	not combinable	combinable	combinable	not combinable	combinable	combinable
	L3	combinable	not combinable	not combinable	not combinable	not combinable	not combinable	combinable	not combinable	combinable	combinable	not combinable	combinable
	R1	not combinable	not combinable	combinable	not combinable	not combinable	not combinable	not combinable	combinable	combinable	combinable	combinable	combinable
	R3	not combinable	combinable	not combinable	not combinable	not combinable	not combinable	not combinable	combinable	combinable	combinable	combinable	combinable
1 Additional function	P	combinable	combinable	combinable	combinable	combinable	combinable	combinable	not combinable	not combinable	not combinable	not combinable	
	L2	combinable	not combinable	not combinable	combinable	combinable	combinable	combinable	not combinable	not combinable	not combinable	combinable	
	R2	not combinable	combinable	combinable	not combinable	not combinable	combinable	combinable	not combinable	not combinable	not combinable	not combinable	
	H5	combinable	combinable	combinable	combinable	combinable	combinable	combinable	not combinable	not combinable	not combinable	not combinable	

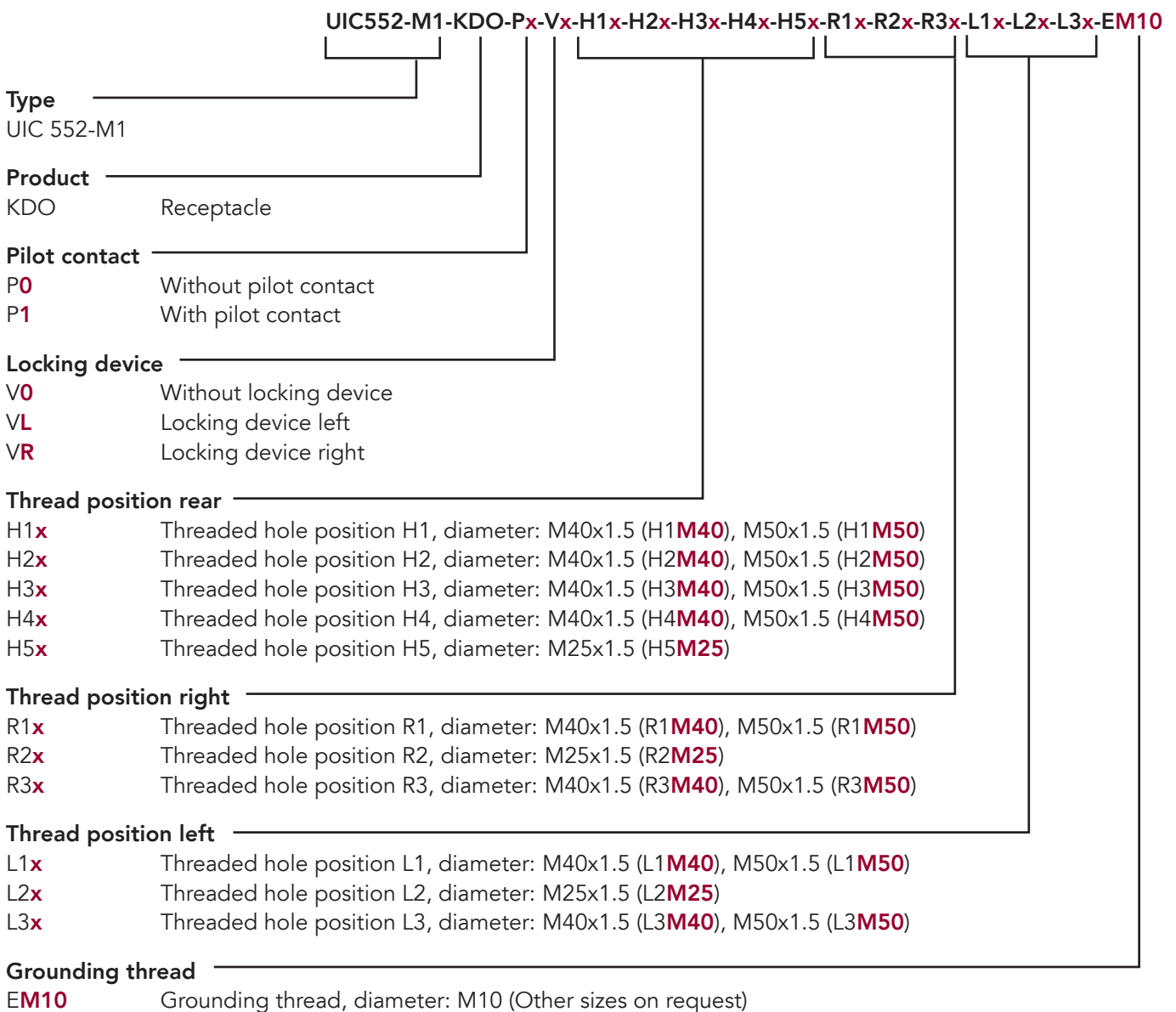
- combinable
- combinable without L2/R2
- not combinable

UIC 552 M1 SERIES RECEPTACLE (KDO)

Order options and key

Note

Due to the high variation possibilities in the assembly of the receptacle, the order key is generated for you by our sales team – this way it is possible to work out the best product and the most reasonable alignment for you. Please contact us.



Color options

- RAL9005 Deep Black
- RAL7023 Concrete Gray (Other colors on request)

UIC 552 M1 SERIES CABLE JUNCTION BOX (KAK)



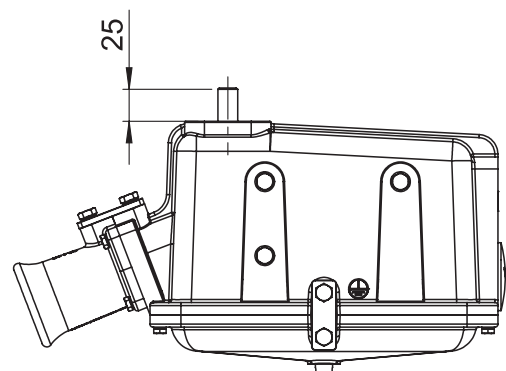
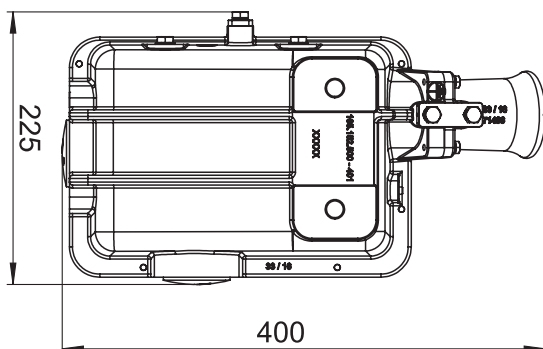
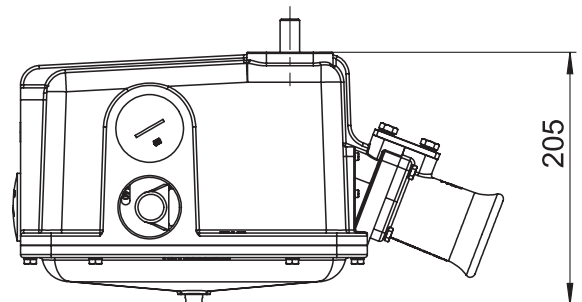
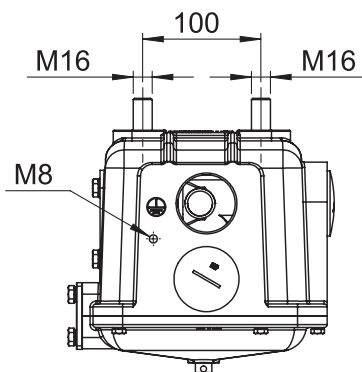
Cable junction box UIC 552 M1:
Deep Black, RAL 9005

Product info

Our robust cable junction box serves as a reliable interface for the easy and permanently safe connection of cables.

Installation

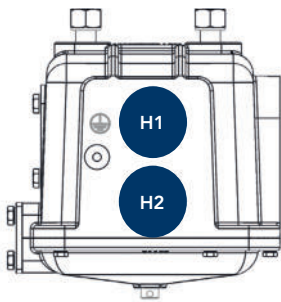
The cable junction box is mounted below the chassis. A terminal strip for the cable connection is integrated inside, which is accessible via the cover, which is screwed on from the outside.



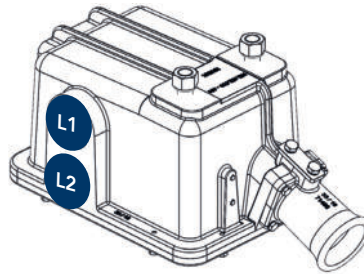
UIC 552 M1 SERIES CABLE JUNCTION BOX (KAK)

Options threaded holes

Thread positions and -diameter rear (H1 / H2)




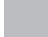
Thread positions and -diameter left (L1 / L2)



Combination options for threaded holes

	H1	H2	L1	L2
H1	combinable	combinable	not combinable	combinable
H2	combinable	combinable	combinable	not combinable
L1	not combinable	combinable	combinable	combinable
L2	combinable	not combinable	combinable	combinable

2 Cable outlets

 combinable
 not combinable

POS.	THREAD DIAMETER		POS.	THREAD DIAMETER	
H1	M40x1.5	M50x1.5	L1	M40x1.5	M50x1.5
H2	M40x1.5	M50x1.5	L2	M40x1.5	M50x1.5

(Other thread diameters on request)

Grounding thread (E)



Rear view – grounding thread

Size options:

M8 (standard)

(Other thread diameters on request)

UIC 552 M1 SERIES CABLE JUNCTION BOX (KAK)

Order options and key

Note

Due to the high variation possibilities in the assembly of the cable junction box, the order key is generated for you by our sales team – this way it is possible to work out the best product and the most reasonable alignment for you. Please contact us.

		UIC552-M1-KAK-H1x-H2x-L1x-L2x-EM8		
Type	_____			
UIC 552-M1				
Product	_____			
KAK	Cable junction box			
Thread position rear	_____			
H1x	Threaded position H1, diameter: M40x1.5 (H1 M40), M50x1.5 (H1 M50)			
H2x	Threaded position H2, diameter: M40x1.5 (H2 M40), M50x1.5 (H2 M50) (Other sizes on request)			
Thread position left	_____			
L1x	Threaded position L1, diameter: M40x1.5 (L1 M40), M50x1.5 (L1 M50)			
L2x	Threaded position L2, diameter: M40x1.5 (L2 M40), M50x1.5 (L2 M50) (Other sizes on request)			
Grounding thread	_____			
EM8	Grounding thread, diameter: M8 (Other sizes on request)			

Color options

RAL 9005	Deep Black
RAL 7023	Concrete Gray
	(Other colors on request)

UIC 552 M1 SERIES JUNCTION BOX (AZK)

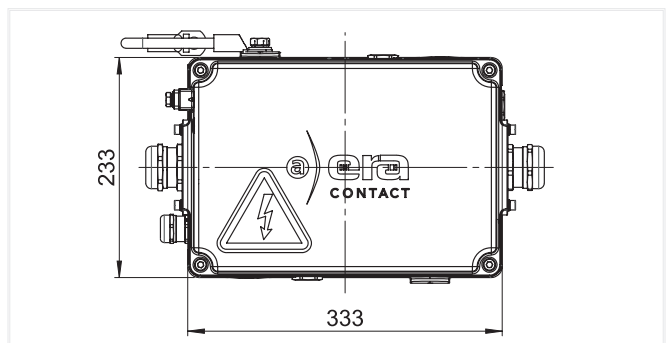
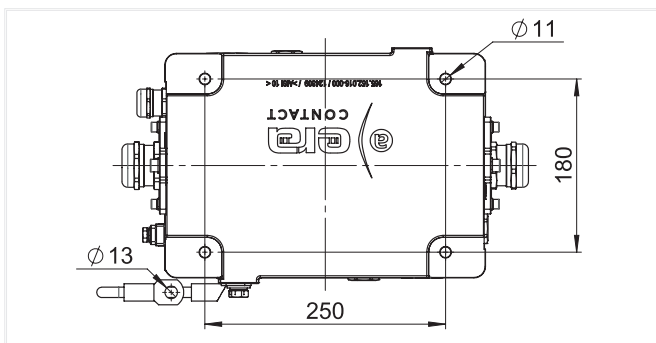


Junction box UIC 552 M1: Deep Black, RAL 9005

Product info

Our junction box serves as a reliable interface to connect cables between cable junction boxes and other cables for power transmission.

Optional with flange (F):
Enables the assembly of pre-assembled cables.



Grounding thread (E)

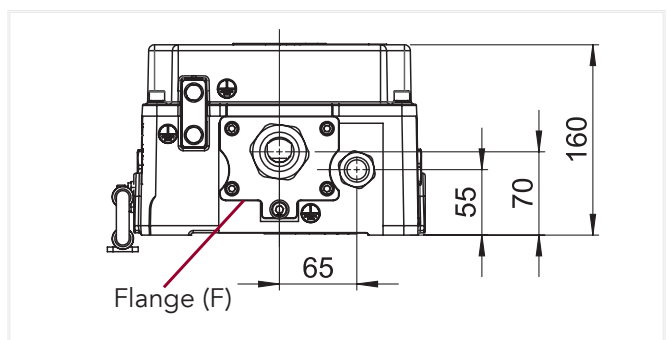
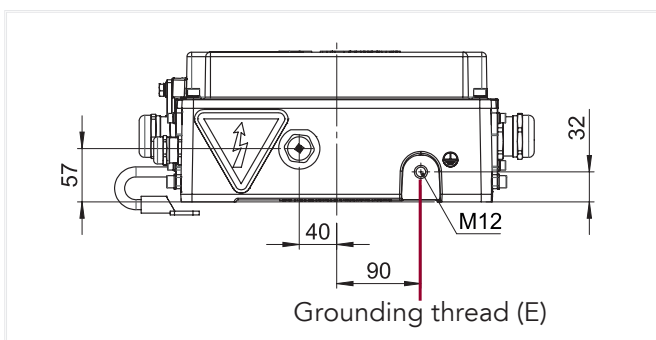
Grounding thread is located both on the right, as well as on the left side.

Size options:

M12 (standard) (Other sizes on request)

Flange option (F)

The junction box is available with (F1) and without flange (F0).



UIC 552 M1-SERIE JUNCTION BOX (AZK)

Order options and key

Note

Due to the high variation possibilities in customization, the junction box (AZK) of the UIC 552 series M1 will be adapted according to your requirements – we will work out the technical product design together with you in order to produce the best product for you.

Example:

UIC 552 M1 junction box with flange and M50 thread in RAL 7023 (Concrete Gray)

			UIC552-M1-AZK-F1-M50-EM12
Type	UIC 552 M1	_____	_____
Product	AZK	Junction box _____	_____
Flange	F0 F1	Variant without flange _____ Variant with flange (Enables mounting of pre-assembled cables in the AZK)	_____
Thread size flange	M40 M50	Thread M40x1.5 _____ Thread M50x1.5 (Other thread sizes on request)	_____
Grounding thread	EM12	Grounding thread, _____ diameter: M12 (Other sizes on request)	_____
Color options	RAL9005 RAL7023	Deep Black Concrete Gray (Other colors on request)	

UIC 552 M1 SERIES DUMMY RECEPTACLE (BDO)



UIC 552 M1 dummy receptacle: Deep Black, RAL 9005

Product info

For long-lasting functionality, our proven dummy receptacle serves as a receptacle for the plug in order to protect it from unwanted external influences when not coupled.

We also offer a dummy box variant with increased IP protection. This achieves an IP protection rating of IP55 when plugged in. Talk to us about it!

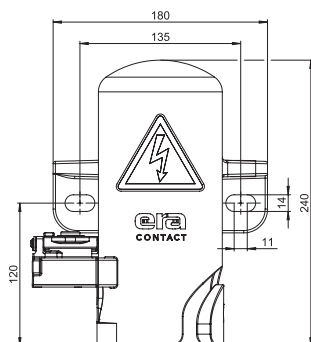
Installation

The plug is locked in the dummy receptacle via a bayonet lock.

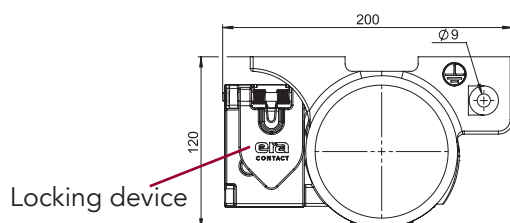
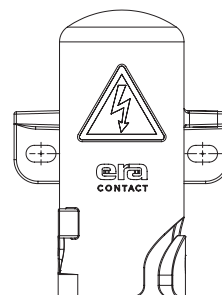
Option locking device (V)

The dummy receptacle is available with (V1) and without (V0) a locking device.

Dummy receptacle with locking device (V1)



Dummy receptacle without locking device (V0)



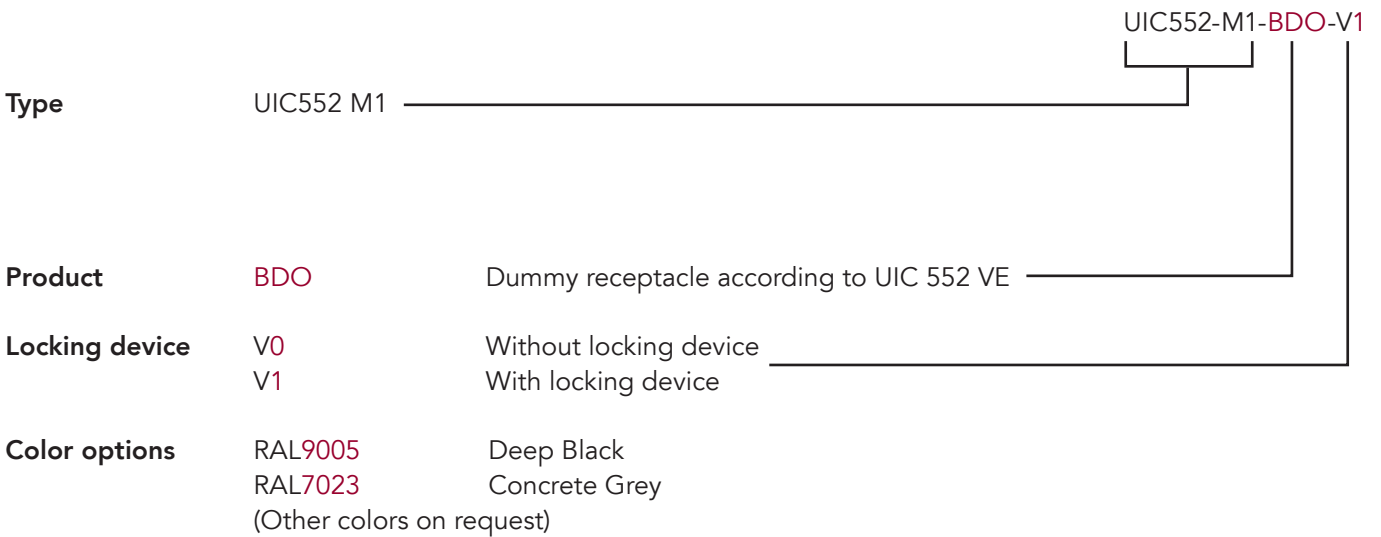
UIC 552 M1 SERIES DUMMY RECEPTACLE (BDO)



Order options and key

Example:

UIC 552 M1 dummy receptacle with locking device



Accessories

DESIGNATION	DESCRIPTION	ARTICLE NO.
Steel key	Key for UIC 552 locking device	124253



MORE BENEFITS FOR YOU:

- Punctuality
- Consistently high quality all over the world
- Comprehensive service wherever you are in the world
- Years of expertise for your product
- International presence
- On-site engineering service – from prototyping to after-sales
- Original manufacturer
- A team just for you



A company of



www.aichele-group.com
www.era-contact.com
www.streicherplast.de

era-contact GmbH Germany
 Gewerbestrasse 44
 75015 Bretten-Gölshausen
 Deutschland / Germany
 Phone +49 (0)72 52 - 971 0
info.germany@era-contact.de

era-contact Tunisia S.A.R.L.
 Hriza
 7026 El Azib, Bizerte
 Tunesien / Tunisia
 Phone +216 72 - 45 10 10
info.tunisia@era-contact.de

era-contact USA, LLC
 1475 Smith Grove Road
 Liberty, SC 29657
 USA
 Phone +1 (864) 777-6060
info.usa@era-contact.com

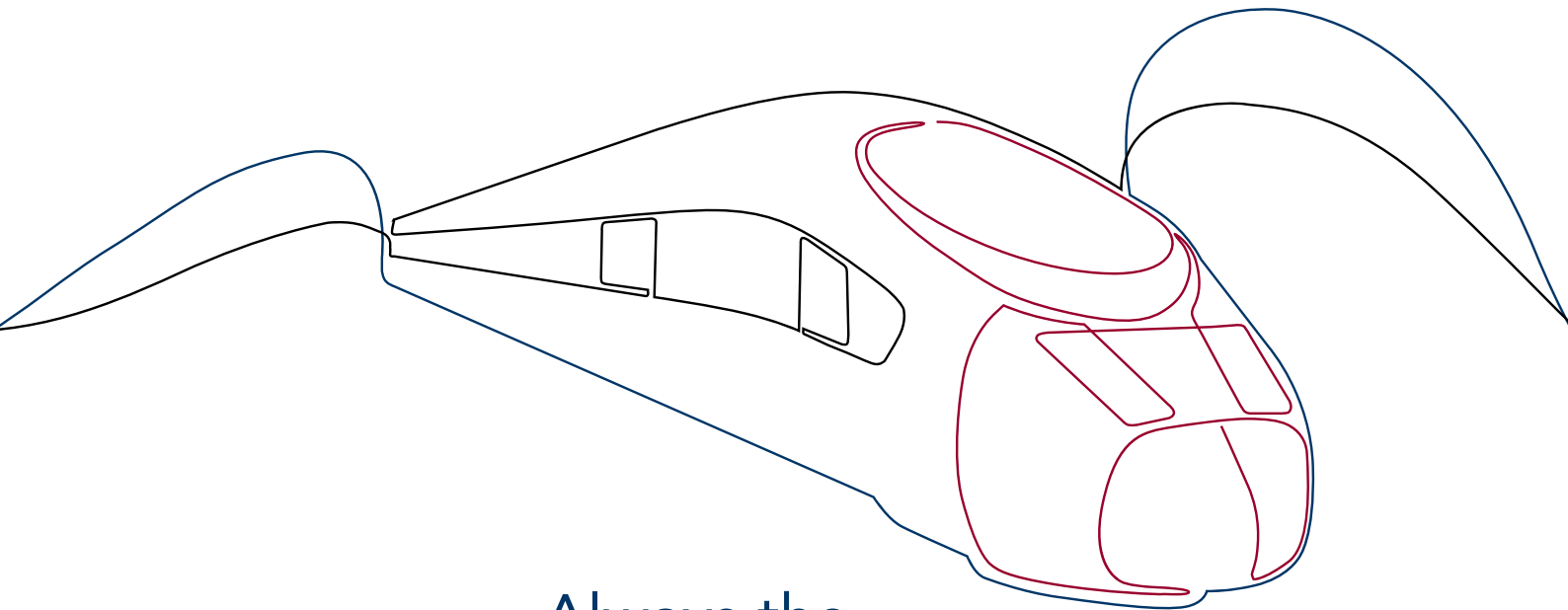
era-contact GmbH Germany
 Einsteinstraße 1
 71083 Herrenberg
 Deutschland / Germany
 Phone +49 (0)72 52 - 971 0
info.germany@era-contact.de

era-contact (Suzhou) Co., Ltd.
 Building P,
 No. 9 Chang Yang Street,
 Suzhou Industrial Park
 Jiangsu, 215024, P.R. China
 Phone +86 512 - 6299 1800
info.china@era-ct.com

era-contact Turkey
 San. ve Tic. Ltd. Şti.
 Çerkeşli OSB Mah.
 İmes 9. Cad. No:31
 41455 Dilovası/Kocaeli
 Türkei / Turkey
 Phone +90 532 504 38 09
info.turkey@era-contact.com.tr

streicherplast
 GmbH + Co. KG
 Friedhofstrasse 4
 78588 Denkingen
 Deutschland / Germany
 Phone +49 (0)74 24 98 17-0
info@streicherplast.de

UIC 558



Always the
right connection



Quality Standard: All products are subject to an extensive quality test in the final inspection phase. Of course, we are certified according to current industry-specific standards.

UIC 558 CONNECTORS



PRODUCT INFO

The rail connector is used in international traffic for all types of rail vehicles, including traction units.

The robust connector systems comply with IRS 50558 / UIC 558 VE (up to 1994: UIC 568 VE) and meet the fire protection guideline EN 45545-2 HL3.

The receptacle and the plug can be assembled with a UIC-compliant cable on request.

APPLICATION AREAS

- For remote control of lighting, door control, transmission of acoustic information and binary data
- New vehicles
- Refurbishments of rail vehicles
- For use with spare parts requirements

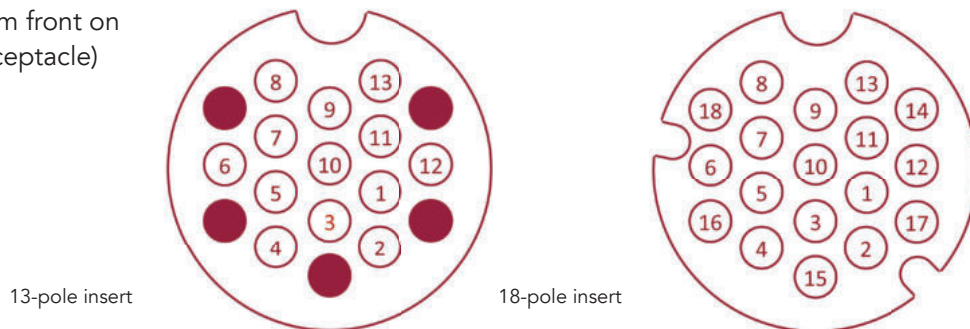
FEATURES

- Standard variants: 13-pin and 18-pin plug-in connections. The 18-pin receptacle is plug compatible with the 13-pin plug
- Coding is available
- Current transmission of max. 10 A
- Protection against dust and moisture according to protection class IP66
- Protection in the event of unintentional uncoupling
- Short maintenance times with exchangeable insert (optional)
- Avoidance of operating errors due to optional magnetic lock (receptacle cover closes regardless of the opening angle)

UIC 558 TECHNICAL DATA

Pole diagram and connection scheme

Direction of view from front on receptacle insert (receptacle)



SPECIFICATIONS

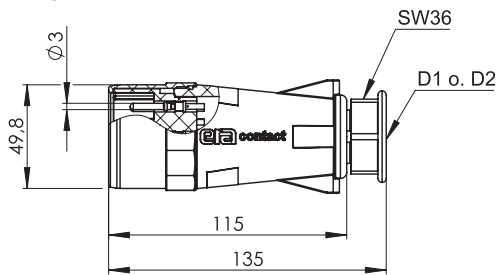
DESCRIPTION

VALUES & DATA

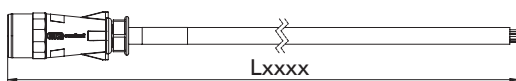
Standards	Type	UIC 558 VE (VE = Mandatory/Recommended) IRS 50558
Fire protection	Protection class (EN 60529) EN 45545-2 HL3	IP66: receptacle closed/plugged in
Connection type	Number of poles Connection cross section Connection to female contact Connection to male contact	13-pole / 18-pole 0.75 ... 1.00 mm ² Crimp Crimp
Electrical characteristics	Rated voltage Rated current Contact resistance Insulation resistance	60 V 10 A < 2 mΩ > 10 GΩ
Mechanical characteristics	Contact diameter Mechanical life	3 mm > 10,000 plugging cycles
Operating conditions	Operating temperature range	-40°C ... +90°C
Materials	Housing plug Housing receptacle Contact block Seal in housing Contacts	Thermoplastic, glass fiber reinforced Cast aluminum Thermoplastic, glass fiber reinforced Silicone elastomer, EPDM Wrought copper alloy, nickel plated
Weights	Plug (without cable) Receptacle Receptacle with exchangeable insert and magnetic lock Dummy receptacle	approx. 0.2 kg approx. 0.7 kg approx. 0.8 kg approx. 0.6 kg

UIC 558 PLUG (S), CONNECTOR CABLE (AS) & JUMPER CABLE (VS)

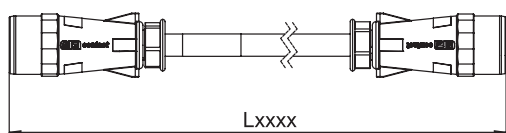
Plug: UIC558-S



Connector cable: UIC558-AS-Lxxxx



Jumper cable: UIC558-VS-Lxxxx



Product info

Our plugs are equipped with high quality components for signal and power transmission. This product is designed for remote control and information cables, thus it meets high functionality and safety requirements on a permanent basis.



UIC 558 plug: Red color markings for 18-pole version

Order options and key

Example:

UIC 558 connector cable, plug one-sided, 18-pole with a total length of 1.5 m for cable diameter 16.5 to 18.5mm.

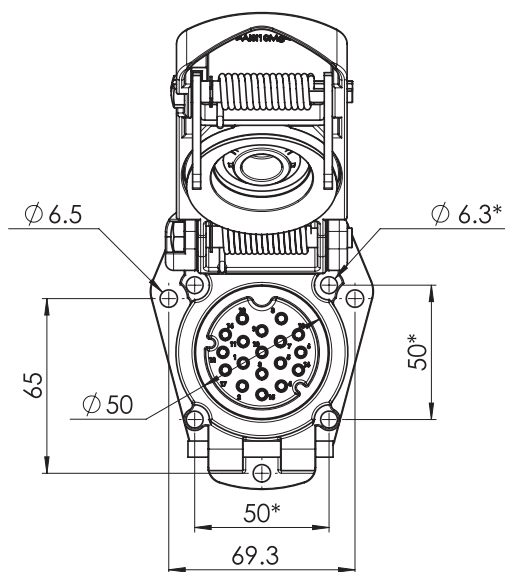
UIC558-AS-L1500-P18-D2

Type	UIC558	According to UIC 558 VE	_____
Version	S	Plug (without cable)	_____
	AS	Connector cable with 1 plug	_____
	VS	Jumper cable with 2 plugs	_____
Total length	Lxxxx	Length in mm, (Standard and desired lengths on request)	_____
Number of poles	P18	18 male contacts	_____
	P13	13 male contacts	_____
Cable gland	D2	For cable diameter 16.5 to 18.5 mm (for 18-pole variant)	_____
	D1	For cable diameter 12.5 to 15.5 mm (for 13-pole variant)	_____

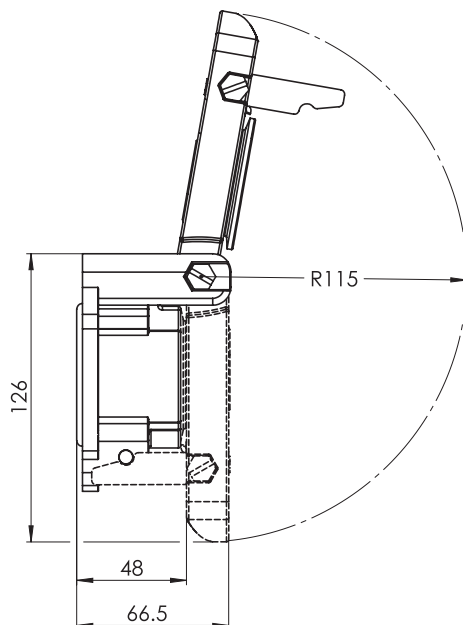
UIC 558 RECEPTACLE (KDO), DUMMY RECEPTACLE (BDO)

Receptacle: UIC558-KDO

(Identical in construction to KDK, BDO, LDO)



*Mounting option with alternative hole pattern



Product info

With its robust construction, our receptacle housing has increased resistance to chemical influences. This ensures long-term use under harsh conditions.

Receptacle (KDO) is equipped with 18 female contacts.

The dummy receptacle (BDO) is used to accommodate non-coupled plugs. The dummy receptacle contains only a contact block without female contacts.

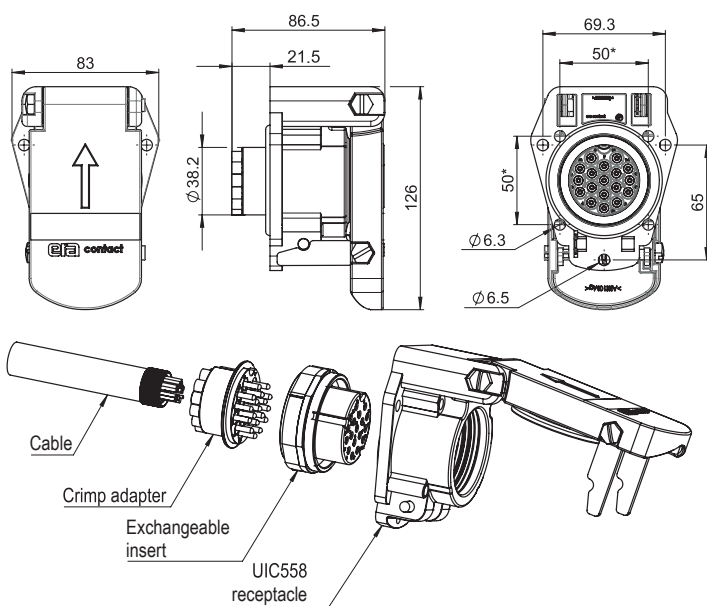


UIC 558 receptacle: Red color marking on the cover for 18-pole version.

UIC 558 OPTIONS RECEPTACLE

Option exchangeable insert (WE)

Receptacle: UIC558-KDO-WE1



* Dimensions in mm

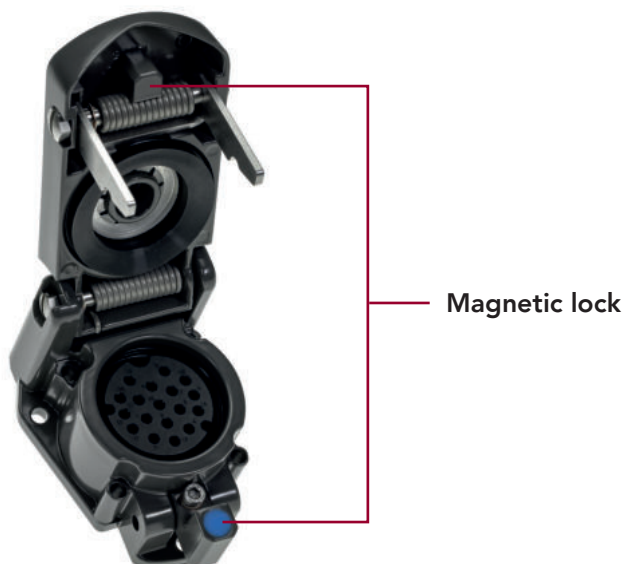
Product info

Our receptacle with exchangeable insert (WE) considerably reduces the effort required for maintenance work. All that is required is to replace the exchangeable insert on site. There is no need for rewiring, crimping or electrical tests.



UIC 558 receptacle with exchangeable insert

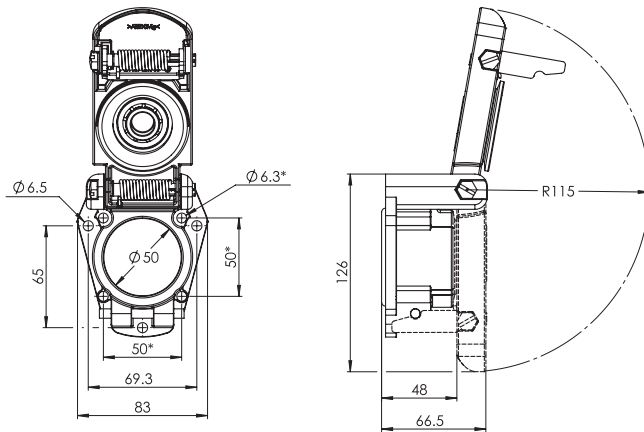
Option magnetic lock (MV)



Our UIC 558 receptacles (KDO and BDO) are available with (MV1) and without magnetic lock (MV0). No matter from which angle or with which force the cover is actuated, the magnetic lock ensures absolute closure and thus the tightness of the receptacle in the unplugged state.

UIC 558 BASIC RECEPTACLE (LDO) WITH ASSEMBLED CABLE HARNESSSES (CA / KT)

Basic receptacle: UIC558-LDO
(Identical in construction to KDO)



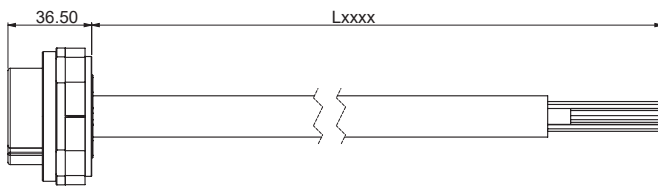
*Mounting option with alternative hole pattern

Product info

For the standard version of the receptacle with pre-assembled cabling, please select the basic receptacle (LDO) and additionally the cable with contact block (KT).

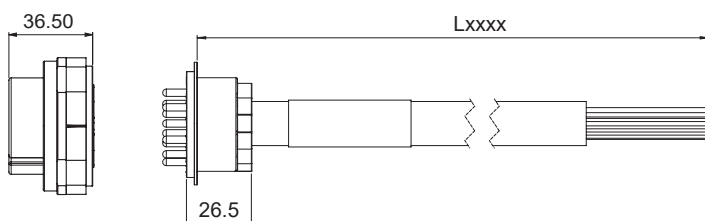
For the receptacle version with exchangeable insert, select the basic receptacle (LDO), the exchangeable insert (WE) and the pre-assembled crimp adapter (CA).

Contact block pre-assembled: UIC558-KT-Lxxxx-P18



Cable length in mm

Crimp adapter pre-assembled: UIC558-CA-Lxxxx-P18



Cable length in mm

You additionally need the exchangeable insert (WE).

Exchangeable insert (WE)

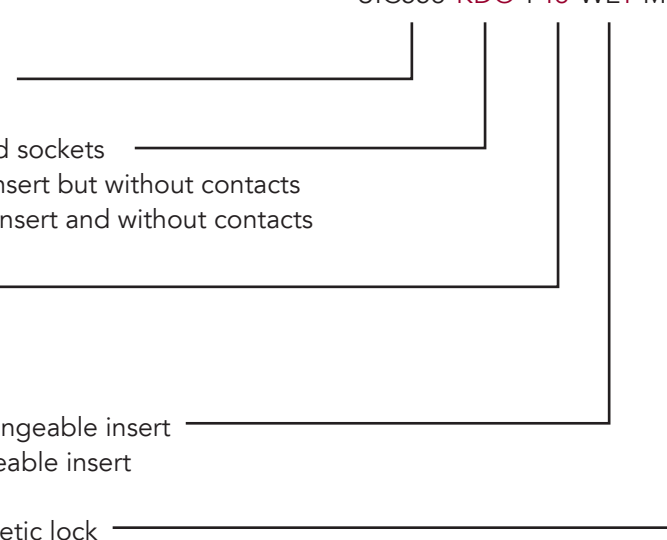
Crimp adapter with cable (CA)

UIC 558 RECEPTACLE (KDO), DUMMY RECEPTACLE (BDO) & BASIC RECEPTACLE (LDO)

Order options and key

Example:

UIC 558 receptacle with 18 contact pins, exchangeable insert and magnetic lock in RAL 7038 (Agate Gray)

			UIC558-KDO-P18-WE1-MV1
Type	UIC558	According to UIC 558 VE	
Version	KDO BDO LDO	Receptacle with insert and sockets Dummy receptacle with insert but without contacts Basic receptacle without insert and without contacts	
Contacts	P13 P18	13 Pins and cable gland 18 Pins and cable gland	
Exchangeable insert	WE0 WE1	Receptacle without exchangeable insert Receptacle with exchangeable insert	
Magnetic lock	MV0 MV1	Receptacle without magnetic lock Receptacle with magnetic lock	
Color options	RAL7038	Agate Gray (Other colors on request)	

Spare parts and accessories

DESIGNATION	DESCRIPTION	ARTICLE NO.
Contact pin incl. spring	Core cross sections: 0.75 mm ² to 1 mm ²	122033
Contact socket incl. spring	Core cross sections: 0.75 mm ² to 1 mm ²	122024
Exchangeable insert incl. contacts	For receptacle with exchangeable insert	072587
Double socket incl. spring	For receptacle with exchangeable insert	122152
Contact ejector	Disassembly tool	134462
DMC FT8	Crimping tool	072674



MORE BENEFITS FOR YOU:

- Punctuality
- Consistently high quality all over the world
- Comprehensive service wherever you are in the world
- Years of expertise for your product
- International presence
- On-site engineering service – from prototyping to after-sales
- Original manufacturer
- A team just for you

A company of



www.aichele-group.com
www.era-contact.com
www.streicherplast.de

era-contact GmbH Germany
Gewerbestrasse 44
75015 Bretten-Gölshausen
Deutschland / Germany
Phone +49 (0)72 52 - 971 0
info.germany@era-contact.de

era-contact Tunisia S.A.R.L.
Hriza
7026 El Azib, Bizerte
Tunesien / Tunisia
Phone +216 72 - 45 10 10
info.tunisia@era-contact.de

era-contact USA, LLC
1475 Smith Grove Road
Liberty, SC 29657
USA
Phone +1 (864) 777-6060
info.usa@era-contact.com

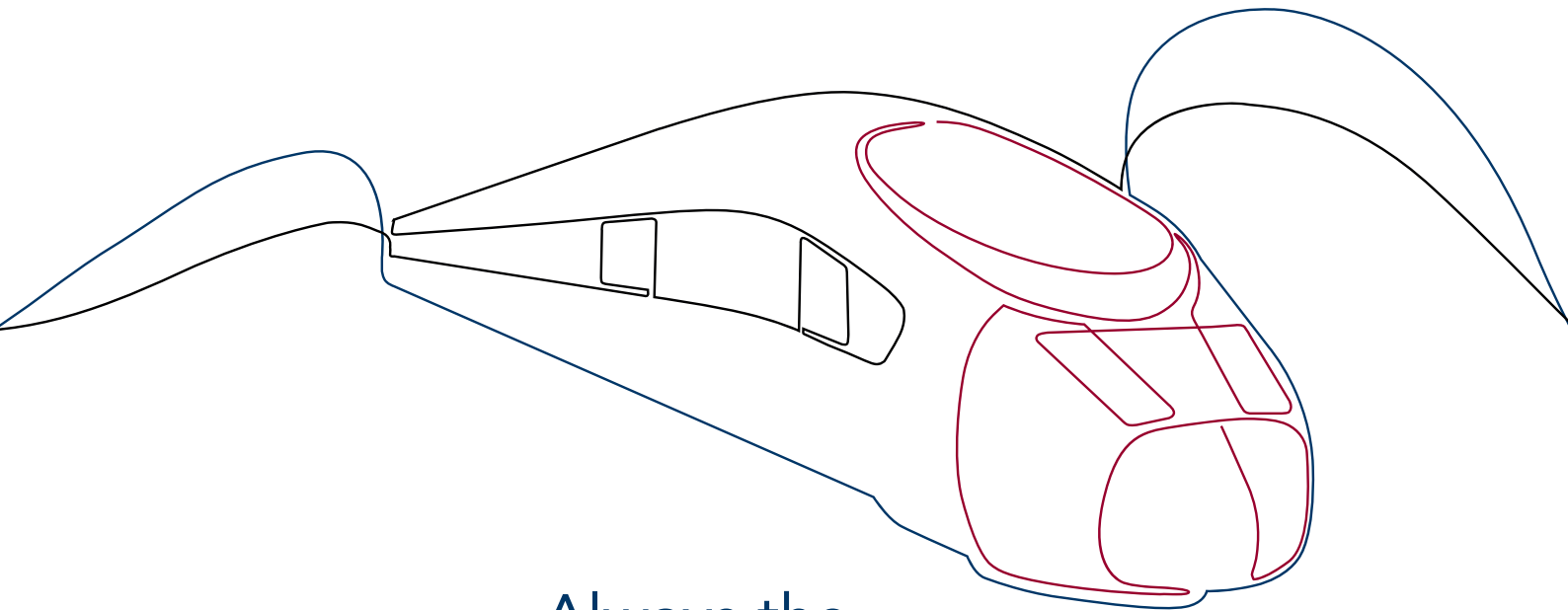
era-contact GmbH Germany
Einsteinstraße 1
71083 Herrenberg
Deutschland / Germany
Phone +49 (0)72 52 - 971 0
info.germany@era-contact.de

era-contact (Suzhou) Co., Ltd.
Building P,
No. 9 Chang Yang Street,
Suzhou Industrial Park
Jiangsu, 215024, P.R. China
Phone +86 512 - 6299 1800
info.china@era-ct.com

era-contact Turkey
San. ve Tic. Ltd. Şti.
Çerkeşli OSB Mah.
İmes 9. Cad. No:31
41455 Dilovası/Kocaeli
Türkei / Turkey
Phone +90 532 504 38 09
info.turkey@era-contact.com.tr

streicherplast
GmbH + Co. KG
Friedhofstrasse 4
78588 Denkingen
Deutschland / Germany
Phone +49 (0)74 24 98 17-0
info@streicherplast.de

MANUAL COUPLERS



Always the
right connection



Quality Standard: All products are subject to an extensive quality test in the final inspection phase. Of course, we are certified according to current industry-specific standards.

MANUAL COUPLERS HAKU 0-3



PRODUCT INFO

The manual connectors can be produced and used as control current couplers, power current couplers or as a combination of both types of couplers. Due to their robust design, our products offer a long service life with low maintenance requirements.

The respective variants are equipped individually according to the customer's wishes and requirements.

APPLICATION AREAS

- Individually applicable in the railroad, vehicle, mechanical engineering, agricultural and industrial sectors
- For stinger systems in the maintenance area
- For use as control current as well as heavy current couplers
- For level monitoring
- Individually applicable – depending on the area of application, adaptations can be made on customer request.

FEATURES

- Faultless power transmission, adapted to customer-specific operating conditions
- Protection of contacts and connection parts against dust and moisture even in harsh environmental conditions
- Depending on the version, with safety lock to prevent unintentional disconnection and release
- Lockable cover for the protection against misuse

MANUAL COUPLERS TECHNICAL DATA

The design to be selected results from the respective customer requirements. The weights vary depending on the equipment. The weights given here represent averaged values.

The proven quality and reliability of the manual connectors listed below are based on numerous patents, which are relied on in the cooperation with our customers.

SPECIFICATION DESCRIPTION		HAKU 0	HAKU 1	HAKU 2	HAKU 3
Standards	Protection class (EN 60529)	IP54 (coupled)	IP56* (coupled)	IP54* (coupled)	IP67* (coupled)
	Contact block design according to EN 50124-1	-	Yes	Yes	Yes
Connection type	Number of poles	2 to 3	1 to 15	1 to 44	1 to 111
	Connection of contacts	Screw	Crimp/Screw	Crimp/Screw	Crimp/Screw
Electrical Characteristics	Rated voltage	42 V	400 V	1500 V	3000 V
	Rated current	10 A	200 A	500 A	500 A
Mechanical Characteristics	Safety lock	-	-	Yes	Yes
	Operating conditions	Temperature range	-30°C ... +90°C	-30°C ... +90°C	-30°C ... +90°C
Materials	Housing plug	Cast aluminum	Cast aluminum	Cast aluminum	Cast aluminum
	Housing receptacle	Cast aluminum	Cast aluminum	Cast aluminum	Cast aluminum
	Contacts	Copper or brass alloy	Copper or brass alloy	Copper or brass alloy	Copper or brass alloy
Weights	Plug (without cable)	approx. 0.3 kg	approx. 1.5 kg	approx. 2.6 kg	approx. 7.0 kg
	Receptacle	approx. 0.7 kg	approx. 2.0 kg	approx. 3.3 kg	approx. 5.7 kg

MANUAL COUPLERS HAKU 0 & HAKU 1

Haku 0

Product info

The 2- or 3-pole plug is used for level monitoring, e.g. for diesel-driven vehicles (DMU) or diesel locomotive or also for locomotive lighting.

Receptacle and plug can be equipped with male or female contacts depending on the application. An individual color coating is possible on request.



Haku 1

Product info

The size 1 manual connector can be used both as a control current as well as a power current coupler. A locking of the connector is realized with the receptacle cover.

For example, we can offer you this type of manual connectors as follows:

- 15 control current contacts (25 A, 110 V)
- 2 high power contacts (200 A, 400 V)

The equipment of this type of connector is carried out individually according to the customer's wishes and requirements. An individual color coating is possible on request.



MANUAL CONNECTORS HAKU 2 & HAKU 3

Haku 2

Product info

This design can be used as a high power and/or control current coupler. A safety lock serves to protect against unintentional disconnection of the plug. Depending on the requirements, 1 to 44 contacts can be integrated. For example, 3 high power contacts (200 A, 380 V) or 2 high power contacts (100 A, 200 V) in combination with 9 control contacts.

The assembly of this connector is carried out individually according to the customer's wishes and requirements. An individual color coating is available on request.



Haku 3

Product info

This design was developed for particularly high currents or a large number of control cables. The plug is locked in the receptacle by means of a coupling bracket. A safety lock serves to protect against unintentional disconnection of the plug. The plug can be equipped with up to 111 contacts. For example, as a three-phase coupler with 5 contacts (500 A, AC 440 V) and 8 additional control current contacts (25 A, DC 72 V).

The equipment of this type of construction is carried out individually according to the customer's wishes and requirements. An individual color coating is possible on request.





MORE BENEFITS FOR YOU:

- Punctuality
- Consistently high quality all over the world
- Comprehensive service wherever you are in the world
- Years of expertise for your product
- International presence
- On-site engineering service – from prototyping to after-sales
- Original manufacturer
- A team just for you



A company of



www.aichele-group.com
www.era-contact.com
www.streicherplast.de

era-contact GmbH Germany
 Gewerbestrasse 44
 75015 Bretten-Gölshausen
 Deutschland / Germany
 Phone +49 (0)72 52 - 971 0
info.germany@era-contact.de

era-contact Tunisia S.A.R.L.
 Hriza
 7026 El Azib, Bizerte
 Tunesien / Tunisia
 Phone +216 72 - 45 10 10
info.tunisia@era-contact.de

era-contact USA, LLC
 1475 Smith Grove Road
 Liberty, SC 29657
 USA
 Phone +1 (864) 777-6060
info.usa@era-contact.com

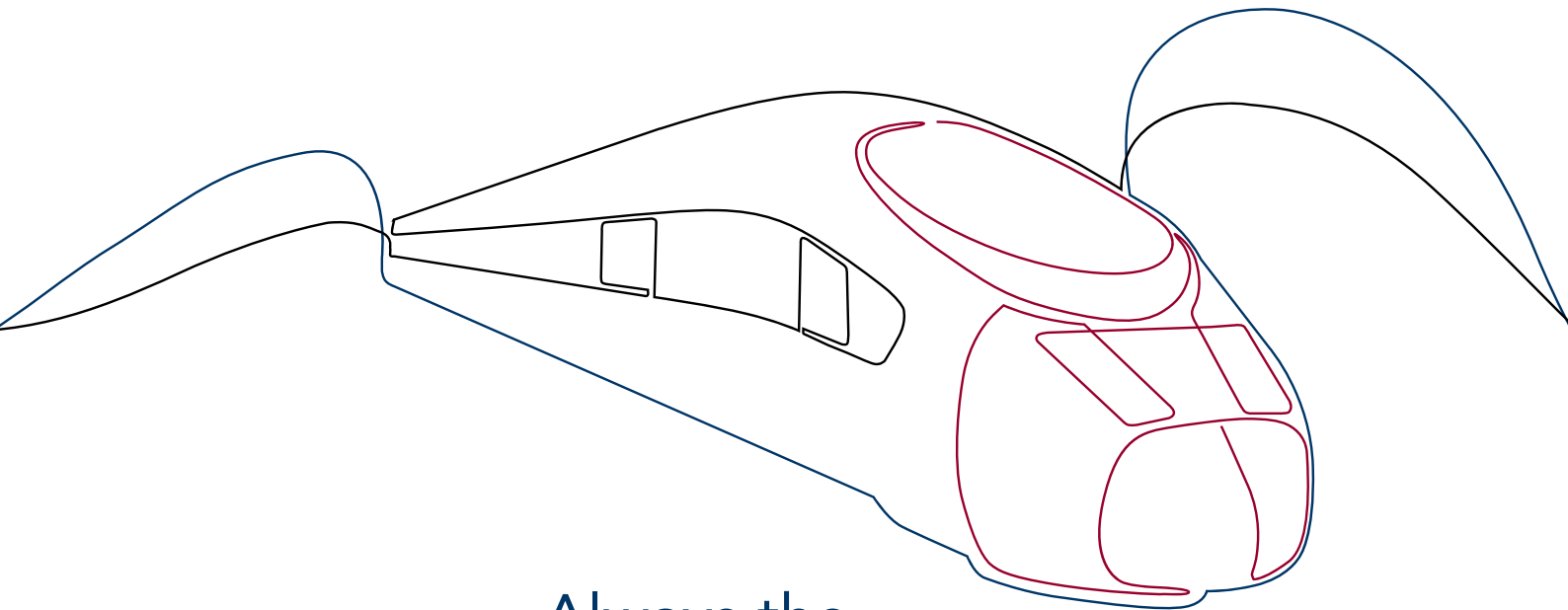
era-contact GmbH Germany
 Einsteinstraße 1
 71083 Herrenberg
 Deutschland / Germany
 Phone +49 (0)72 52 - 971 0
info.germany@era-contact.de

era-contact (Suzhou) Co., Ltd.
 Building P,
 No. 9 Chang Yang Street,
 Suzhou Industrial Park
 Jiangsu, 215024, P.R. China
 Phone +86 512 - 6299 1800
info.china@era-ct.com

era-contact Turkey
 San. ve Tic. Ltd. Şti.
 Çerkeşli OSB Mah.
 İmes 9. Cad. No:31
 41455 Dilovası/Kocaeli
 Türkei / Turkey
 Phone +90 532 504 38 09
info.turkey@era-contact.com.tr

streicherplast
 GmbH + Co. KG
 Friedhofstrasse 4
 78588 Denkingen
 Deutschland / Germany
 Phone +49 (0)74 24 98 17-0
info@streicherplast.de

UIC 541



Always the
right connection



Quality Standard: All products are subject to an extensive quality test in the final inspection phase. Of course, we are certified according to current industry-specific standards.

UIC 541 Connectors



PRODUCT INFO

The rail connector is used in international traffic for traction units, passenger coaches and in freight traffic.

The connector systems meet the requirements of UIC 541-5 VE and UIC 541-6 VE.

The receptacle and the plug can be customized with a UIC-conform cable on request.

APPLICATION AREA

- The UIC 541 VE is used in traction units and passenger coaches for power and signal transmission of the electro pneumatic brake and the emergency brake override/emergency power request.
- In freight cars, UIC 541 VE is used for the power and signal transmission of the electro pneumatic brake.

FUNCTIONS

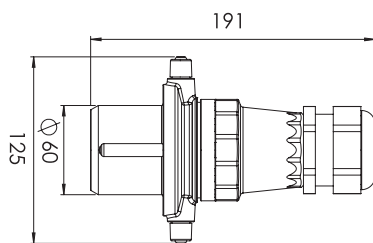
- High-quality components in robust design
- State-of-the-art technology in an innovative design
- Feedback regarding presence of the plug (optionally via snap-action switch)
- Feedback regarding end of the train (optionally via pilot contact in the dummy receptacle)
- High quality cables with class 6 cores for higher protection against cable breakage

UIC 541 TECHNICAL DATA

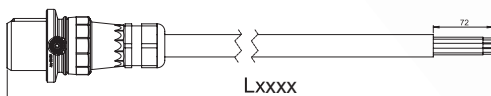
SPECIFICATION	DESCRIPTION	VALUES & DATA
Standards	Type Protection class Fire protection	UIC 541 VE IP69 (without drainage) or IP 56 (with drainage) according to EN 60529, in the plugged or unplugged state with closed receptacle (other versions on request) EN 45545-2 HL3
Connection type	Number of poles Connection to female contact Connection to male contact	9-pole Crimp Crimp
Electrical characteristics	Rated voltage Rated current: · Contact 1, 2, 3, 4 · Contact A, B · Contact C, E · Contact D Contact resistance	250 V 35 A 25 A 6 A 12 A ≤ 1 mΩ (new condition)
Mechanical characteristics	· Contact 1, 2, 3, 4 · Contact A, B · Contact C, E · Contact D Mechanical life/ plugging cycles	Cable cross section: Contact diameter: 10 mm ² 7 mm 6 mm ² 4 mm 0.75-1 mm ² 3 mm 2.5 mm ² 3 mm > 10,000
Operating conditions	Temperature range	-50°C ... +85°C
Materials	Housing plug Housing receptacle Contact block Sealing parts Contact material Contact surface: · Contact 1, 2, 3, 4 · Contact A, B · Contact C, E · Contact D	Thermoplastic, PA-based Cast aluminum Thermoplastic, PA-based Elastomers, silicones Wrought copper alloy Silver Silver Gold Gold
Weights	Plug (without cable) Receptacle Dummy receptacle	approx. 0.5 kg approx. 1.7 kg approx. 1.4 kg

UIC 541 PLUG (S), CONNECTOR CABLE (AS), JUMPER CABLE (VS)

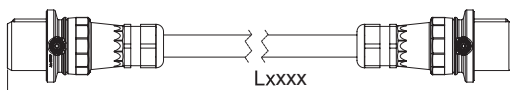
Plug: UIC541-S



Connector cable: UIC541-AS-Lxxxx



Jumper cable: UIC541-VS-Lxxxx



Product info

Our plugs are equipped with high-quality components for signal and power transmission. This product has been designed for remote control and information cables and therefore meets high functionality and safety requirements in rail transportation on a permanent basis.



UIC 541 plug housing, deep black RAL 9005

Order options and key

Example:

UIC 541 connector cable, plug one-sided, with a total length of 1.5 m

			UIC541-AS-L1500
Type	UIC 541	_____	
Product	S	plug (without cable)	_____
	AS	Connector cable with 1 plug	_____
	VS	Jumper cable with 2 plugs	_____
Total length	Lxxxx	Length in mm	_____
		(Standard and desired lengths on request)	

UIC 541 RECEPTACLE (KDO), DUMMY RECEPTACLE (BDO) RECEPTACLE WITH CABLE (KDK)

Product info

With its robust construction, our receptacle housing features increased resistance to chemical influences. This ensures permanent use under harsh conditions.

Versions:

- With end shell (E1) or without end shell(E0)
- With microswitch (S1) or without microswitch (S0)
- With drainage (W1) or without drainage (W0)

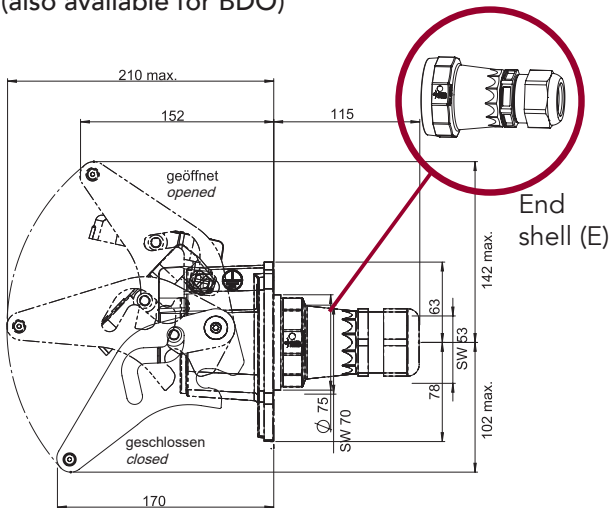
Additional version for dummy receptacle:

- With pilot contact (P1) or without pilot contact (P0)

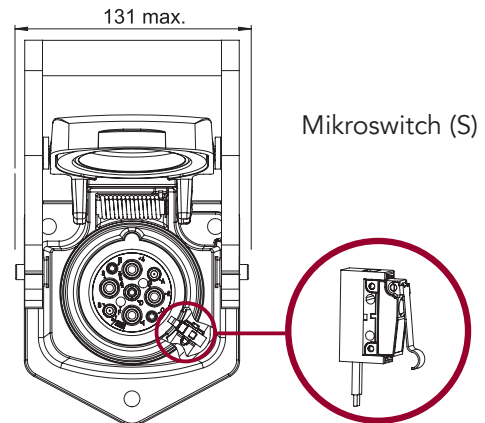


UIC 541 receptacle with drainage (E1),
Deep Black RAL 9005

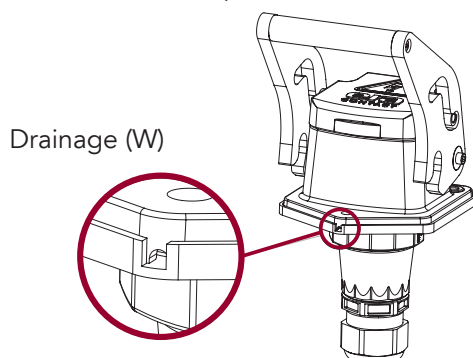
Receptacle: UIC541-KDO-E1 (also available for BDO)



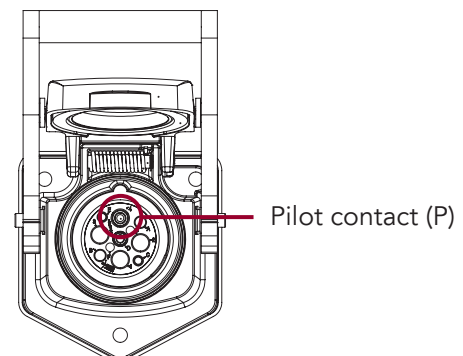
Receptacle: UIC541-KDO-S1



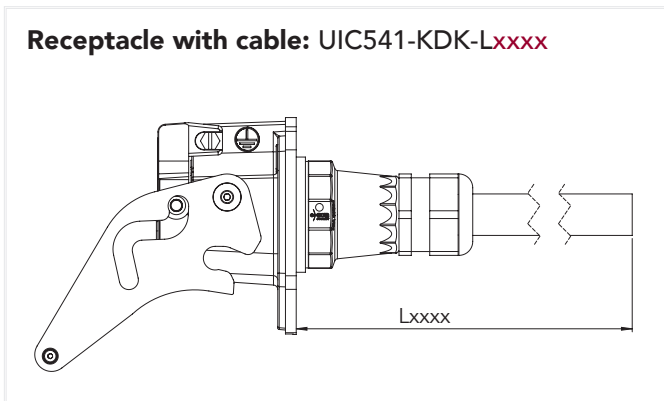
Receptacle: UIC541-KDO-W1 (also available for BDO)



Dummy receptacle: UIC541-BDO-P1



UIC 541 RECEPTACLE (KDO), DUMMY RECEPTACLE (BDO) RECEPTACLE WITH CABLE (KDK)



Specify cable length in mm

Order options and key

Example

UIC 541 receptacle with end shell, microswitch and drainage

UIC541-KDO- E1-S1- W1

UIC 541 dummy receptacle with end shell, microswitch, pilot contact and drainage

UIC541-BDO- E1-S1-P1 -W1

UIC 541 receptacle with cable, with a total length of 1,500 mm, with end shell, microswitch and drainage

UIC541-KDK-L1500-E1-S1- W1

Type	UIC 541	
Product	<p>KDO Receptacle with insert and sockets</p> <p>BDO Dummy receptacle with insert but without contacts</p> <p>KDK Receptacle with cable</p>	
Total length (only for KDK)	Lxxxx	Length in mm (Standard and desired lengths on request)
End shell	<p>E0 Without end shell</p> <p>E1 With end shell</p>	
Mikroswitch	<p>S0 Without microswitch</p> <p>S1 With microswitch</p>	
Pilot contact (only for BDO)	<p>P0 Without pilot contact</p> <p>P1 With pilot contact</p>	
Drainage	<p>W0 Without drainage</p> <p>W1 With drainage</p>	

Color options RAL9005 Deep Black
(Other colors on request)

UIC 541 SPARE PARTS AND ACCESSORIES

DESIGNATION	DESCRIPTION	ARTICLE NO.
Contact pin	Ø 3 mm (1.0 mm ²)	131696
Contact pin	Ø 3 mm (2.5 mm ²)	130760
Contact pin	Ø 4 mm (6.0 mm ²)	130457
Contact pin	Ø 7 mm (10.0 mm ²)	130453
Contact socket	Ø 3 mm (1.0 mm ²)	131687
Contact socket	Ø 3 mm (2.5 mm ²)	130753
Contact socket	Ø 4 mm (6.0 mm ²)	130465
Contact socket	Ø 7 mm (10.0 mm ²)	130474
Contact ejection set	Disassembly tool	072792
Crimping tool	0.75 mm ² / 1 mm ²	072755
Crimping tool	2.5 mm ² / 6 mm ²	139836
Crimping tool	10 mm ²	072756



MORE BENEFITS FOR YOU:

- Punctuality
- Consistently high quality all over the world
- Comprehensive service wherever you are in the world
- Years of expertise for your product
- International presence
- On-site engineering service – from prototyping to after-sales
- Original manufacturer
- A team just for you



A company of



www.aichele-group.com
www.era-contact.com
www.streicherplast.de

era-contact GmbH Germany
 Gewerbestrasse 44
 75015 Bretten-Gölshausen
 Deutschland / Germany
 Phone +49 (0)72 52 - 971 0
info.germany@era-contact.de

era-contact Tunisia S.A.R.L.
 Hriza
 7026 El Azib, Bizerte
 Tunesien / Tunisia
 Phone +216 72 - 45 10 10
info.tunisia@era-contact.de

era-contact USA, LLC
 1475 Smith Grove Road
 Liberty, SC 29657
 USA
 Phone +1 (864) 777-6060
info.usa@era-contact.com

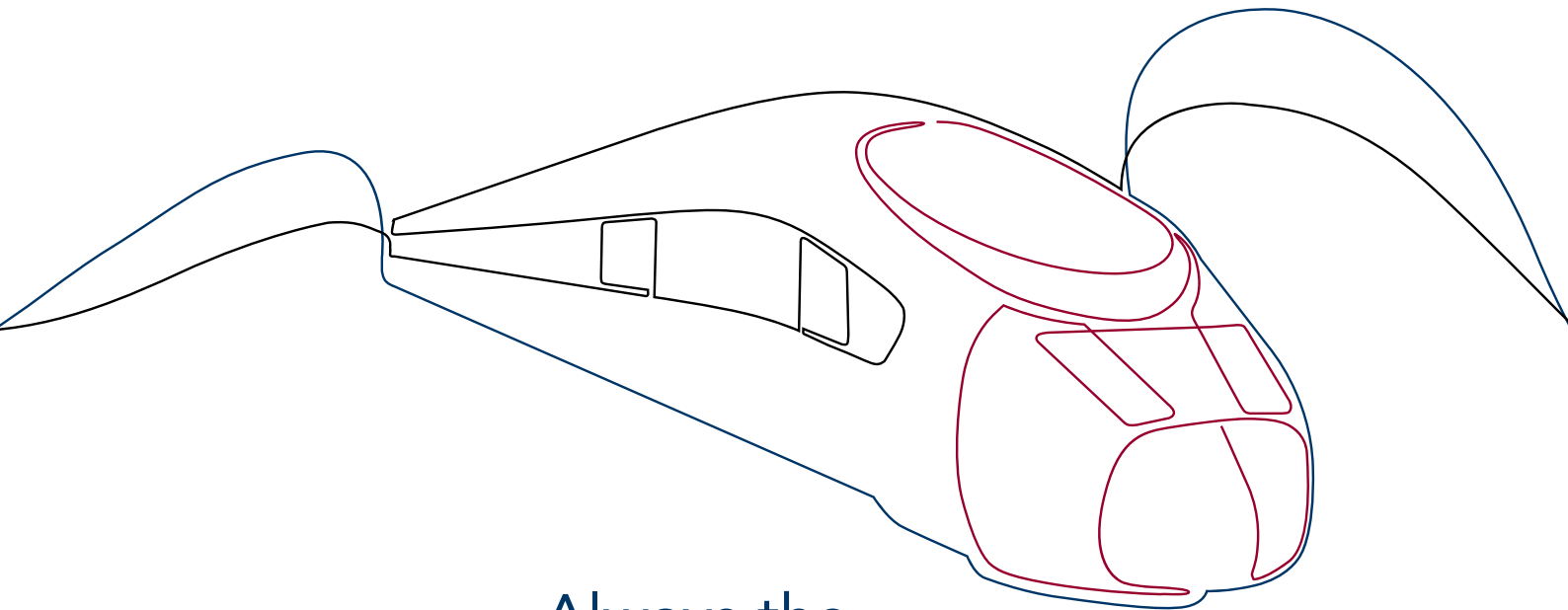
era-contact GmbH Germany
 Einsteinstraße 1
 71083 Herrenberg
 Deutschland / Germany
 Phone +49 (0)72 52 - 971 0
info.germany@era-contact.de

era-contact (Suzhou) Co., Ltd.
 Building P,
 No. 9 Chang Yang Street,
 Suzhou Industrial Park
 Jiangsu, 215024, P.R. China
 Phone +86 512 - 6299 1800
info.china@era-ct.com

era-contact Turkey
 San. ve Tic. Ltd. Şti.
 Çerkeşli OSB Mah.
 İmes 9. Cad. No:31
 41455 Dilovası/Kocaeli
 Türkei / Turkey
 Phone +90 532 504 38 09
info.turkey@era-contact.com.tr

streicherplast
 GmbH + Co. KG
 Friedhofstrasse 4
 78588 Denkingen
 Deutschland / Germany
 Phone +49 (0)74 24 98 17-0
info@streicherplast.de

UIC IT



Always the
right connection

UIC IT Connectors



PRODUCT INFO

The rail connector is used in international traffic for all types of rail vehicles, including traction units.

UIC IT is a standard-compliant series according to IRS 50558 with 16 signal contacts and 8-pin Gigabit module.

Optional variants:

Receptacle (KDO), dummy receptacle (BDO) and basic receptacle (LDO) with magnetic lock

APPLICATION AREAS

- High-speed Ethernet solution that can be used across operators for all rail vehicles
- Robust and economical solution for universal use of data communication
- Since the UIC IT receptacle and plug are identical in construction to the UIC 558 receptacle and plug, it can be installed in existing receptacles or plugs of the UIC 558 series as an upgrade, or it can additionally supplement them.
- The dimensions correspond to the UIC-558 VE series

FEATURES

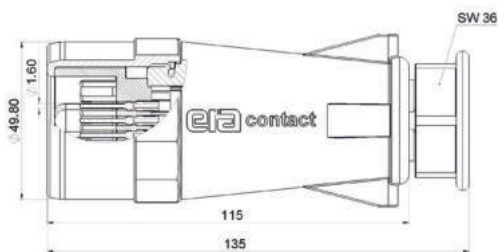
- The UIC IT enables data transmission for infotainment and entertainment applications at up to 10 GBit/s via a corresponding module (4x 2 contacts).
- Ensuring network availability in the rail sector

UIC IT TECHNICAL DATA

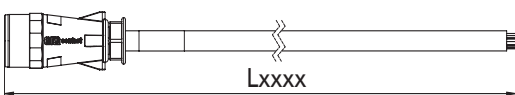
SPECIFICATION	DESCRIPTION	VALUES & DATA	
Standards	Type Protection class Fire protection	UIC IT according to IRS 50558 IP 66 according to EN 60529 EN 45545-2 HL3	
Connection type	Number of poles	24-pole (16 + 8)	8-pole
	Connection cross section	(16x) 0.75 - 1.00 mm ² (8x) AWG 24	(8x) AWG 24
	Connection to female contact	Crimp	Crimp
	Connection to male contact	Crimp	Crimp
Gigabit module	Number of contacts	8 (4x2)	
	Data transmission rate	up to 10 GBit/s with Cat 6 _A	
	Category	Class F _A up to 600 MHz	
	Rated current per contact	5 A	
	Rated voltage	50 V	
	Rated impuls withstand voltage	800 V	
	Pollution degree	3	
Signal contacts	Number of contacts	16	—
	Rated current per contact	10 A	—
	Nominal voltage	80 V	—
	Rated impuls withstand voltage	800 V	—
	Pollution degree	3	—
Electrical characteristics	Contact resistance	Signal contacts ≤ 4 mΩ	Gigabit ≤ 10 mΩ
	Insulation resistance	> 100 MΩ	> 100 MΩ
Mechanical characteristics	Contact diameter	1.6 mm	1.04 mm
	Mechanical life/mechanical life/ plugging cycles	> 10,000	> 10,000
Operating conditions	Temperature range	-40°C ... +85°C	-40°C ... +85°C
Materials	Housing plug	Thermoplastic, glass fiber reinforced	
	Housing receptacle	Cast aluminium	
	Contact block	Thermoplastic, glass fiber reinforced	
	Sealing parts	Elastomers, silicones	
	Contact material	Copper alloy, coated	
	Contact surface:		
Signal contacts		Gold	
Gigabit module		Gold	
Weights	Plug (without cable)	approx. 0.2 kg	
	Receptacle	approx. 0.7 kg	
	Receptacle with magnetic lock	approx. 0.8 kg	
	Dummy receptacle	approx. 0.6 kg	

UIC IT PLUG (S), CONNECTOR CABLE (AS) & JUMPER CABLE (VS)

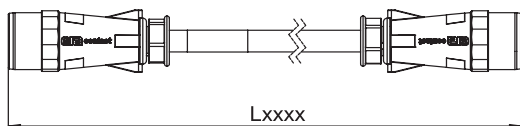
Plug: UIC IT



Connector cable: UICIT-AS- Lxxxx

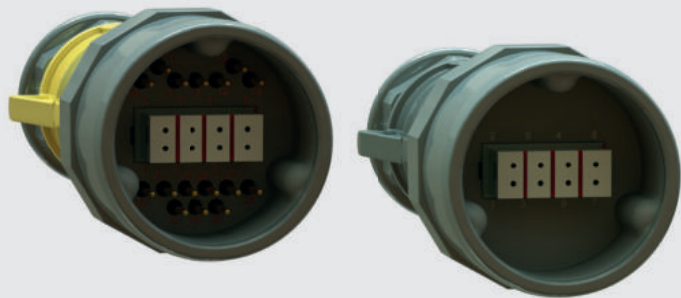


Jumper cable: UICIT-VS-Lxxxx



Product info

Our plugs are equipped with high-quality components for data transmission, which means that they permanently meet the high functionality and safety requirements in rail transportation



Variant 24-pole (16 + 8)
Plug housing, sulfur yellow
RAL 1016 (standard)

Variant 8-pole
Plug housing, black with
yellow-green stripe RAL 6018
(standard)

Order options and key

Example:

UIC IT connector cable with plug, 24-pin with a total length of 1.5 m.

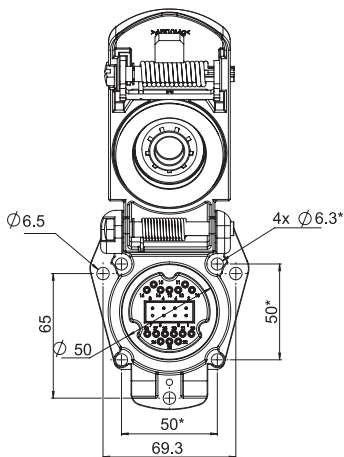
UICIT-AS-L1500-P24

Type	UICIT	
Version	S	Plug (without cable)
	AS	Connector cable with 1 plug
	VS	Jumper cable with 2 plugs
Total length	Lxxxx	Length in mm (Standard and desired lengths on request)
Number of poles	P24	16 male contacts (signal) + 4x 2 female contacts (Gigabit Ethernet)
	P8	4x 2 female contacts (Gigabit Ethernet)

UIC IT RECEPTACLE (KDO), DUMMY RECEPTACLE (BDO)

Receptacle: UICIT-KDO (Identical in construction with BDO, LDO)

* Mounting option with alternative hole pattern



Product info

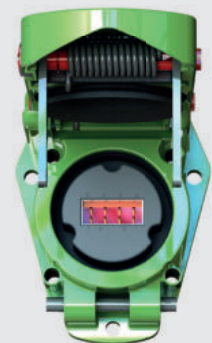
Our receptacle housing with its robust design offers increased resistance to mechanical, thermal and chemical influences. This ensures long-term use under harsh conditions.

Receptacle (KDO) equipped with 16 female contacts (signal) and 4x 2 male contacts (Gigabit Ethernet module).

The dummy receptacle (BDO) is used to hold non-coupled plugs. The dummy receptacle only contains a contact block without contacts.



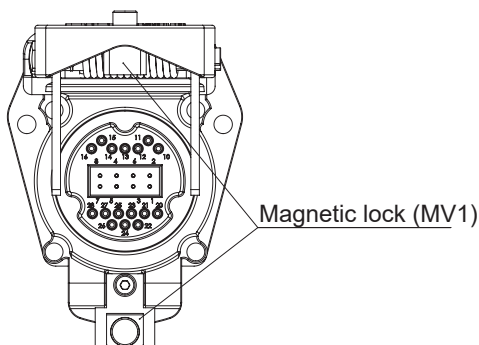
Variant 24-pole (16 + 8)
Receptacle housing,
Sulfur Yellow RAL 1016



Variant 8-pole
Receptacle housing,
Yellow Green RAL 6018

Option magnetic lock (MV)

Receptacle with magnetic lock: UICIT-KDO-MV1

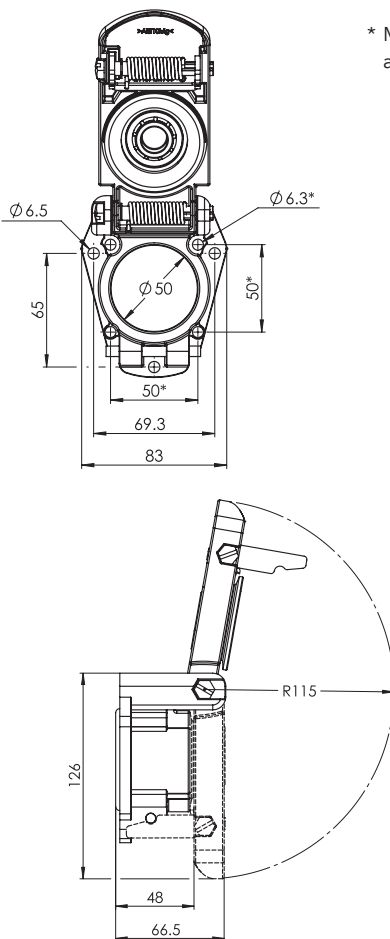


Our UIC IT receptacle is available with (MV1) and without magnetic lock (MV0). No matter from which angle or with which force the cover is actuated, the magnetic lock ensures absolute closure and thus the tightness of the receptacle in the unplugged state.

UIC IT BASIC RECEPTACLE (LDO) WITH ASSEMBLED CABLE HARNESS (KT)

Basic receptacle: UICIT-LDO
(Identical in construction with (KDO))

* Mounting option with alternative hole pattern

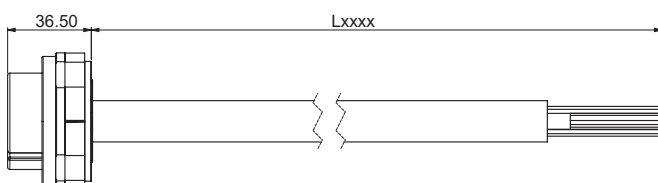


Product info

For the standard version of the receptacle with pre-assembled cabling, please select the basic receptacle (LDO) and additionally the cable with contact block (KT).

Contact block pre-assembled: UICIT-KT-Lxxxx-P18

Specify cable length in mm



UIC IT RECEPTACLE (KDO), DUMMY RECEPTACLE (BDO) & BASIC RECEPTACLE (LDO)

Order options and key

Example:

UIC IT receptacle with 16 female contacts (signal) and 4x 2 male contacts (Gigabit Ethernet module) and magnetic lock, in color RAL 1016 (Sulfur Yellow)

UICIT-KDO-P24-MV1

Type	UICIT	
Product	KDO	Receptacle equipped with insert
	BDO	Dummy receptacle with insert but without contacts
	LDO	Receptacle without insert and without contacts
Contacts	P24	16 female contacts (signal) and 4x 2 male contacts (Gigabit Ethernet module)
	P8	4x 2 male contacts (Gigabit Ethernet module)
Magnetic lock	MV0	Receptacle without magnetic lock
	MV1	Receptacle with magnetic lock
Color options	RAL1016	Sulfur Yellow (for 24-pin)
	RAL6018	Yellow Green (for 8-pin) (Other contacts on request)

Spare parts and accessories

DESIGNATION	DESCRIPTION	ARTICLE NO.
Male contact	for plug 24 pole, wire cross section: 1 mm ²	130480
Female contact	for receptacle 24-pin, wire cross-section: 1 mm ²	130482
Gigabit Ethernet module incl. male contacts (4x 2)	for receptacle, wire cross-section: 0.2 mm ²	131044
Gigabit Ethernet module incl. female contacts (4x 2)	for plug, wire cross-section: 0.2 mm ²	131045
Contact ejector	Disassembly tool	072588
DMC FT8	Crimping tool	072674



MORE BENEFITS FOR YOU:

- Punctuality
- Consistently high quality all over the world
- Comprehensive service wherever you are in the world
- Years of expertise for your product
- International presence
- On-site engineering service – from prototyping to after-sales
- Original manufacturer
- A team just for you



A company of



www.aichele-group.com
www.era-contact.com
www.streicherplast.de

era-contact GmbH Germany
Gewerbestrasse 44
75015 Bretten-Gölshausen
Deutschland / Germany
Phone +49 (0)72 52 - 971 0
info.germany@era-contact.de

era-contact Tunisia S.A.R.L.
Hriza
7026 El Azib, Bizerte
Tunesien / Tunisia
Phone +216 72 - 45 10 10
info.tunisia@era-contact.de

era-contact USA, LLC
1475 Smith Grove Road
Liberty, SC 29657
USA
Phone +1 (864) 777-6060
info.usa@era-contact.com

era-contact GmbH Germany
Einsteinstraße 1
71083 Herrenberg
Deutschland / Germany
Phone +49 (0)72 52 - 971 0
info.germany@era-contact.de

era-contact (Suzhou) Co., Ltd.
Building P,
No. 9 Chang Yang Street,
Suzhou Industrial Park
Jiangsu, 215024, P.R. China
Phone +86 512 - 6299 1800
info.china@era-ct.com

era-contact Turkey
San. ve Tic. Ltd. Şti.
Çerkeşli OSB Mah.
İmes 9. Cad. No:31
41455 Dilovası/Kocaeli
Türkei / Turkey
Phone +90 532 504 38 09
info.turkey@era-contact.com.tr

streicherplast
GmbH + Co. KG
Friedhofstrasse 4
78588 Denkingen
Deutschland / Germany
Phone +49 (0)74 24 98 17-0
info@streicherplast.de